



Product designation

Top roller push  
plunger

Product type designation

PLN...R

**General characteristics**

Material

Housing

Aluminium-zinc  
alloy

**Contact characteristics**

Type of contact

1NO+1NC

Thermal current I<sub>th</sub>

A 10

Rated insulation voltage U<sub>i</sub>

V 400

Short-circuit protection with fuse

Class/A 10 gG/SC  
QUICK FUSE

IEC Conventional free air thermal current I<sub>th</sub> ≤ 40°C

A 10

Resistance per pole (average value)

mΩ <10

**Mechanical features**

Operating head fixing

Fixed

Tightening torque (Max)

Switch fixing

Nm 2.5  
lbin 22.1

Conductor section

AWG/Kcmil

max 14

IEC

max mm<sup>2</sup> 2.5

Cable connection

Screw terminal  
with clamp

Cable entry

PG11

Weight

g 230

**Operations**

Mechanical life

cycles >10000000

Mechanical operation

cycles/h 3600

**Ambient conditions**

Temperature

Operating temperature

min °C -25  
max °C +70

Storage temperature

min °C -40  
max °C +70

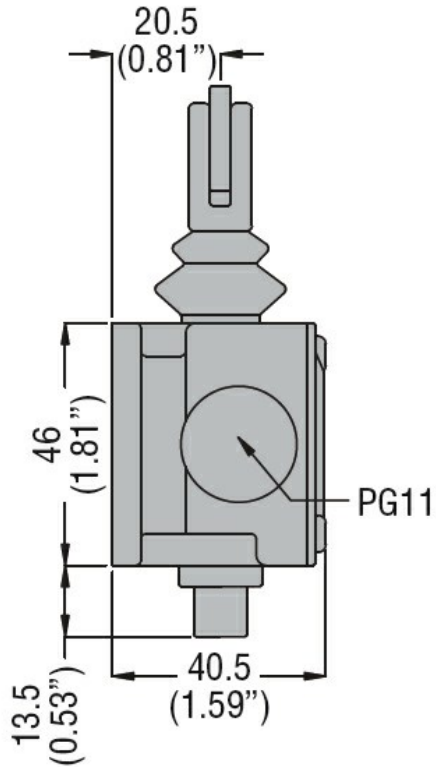
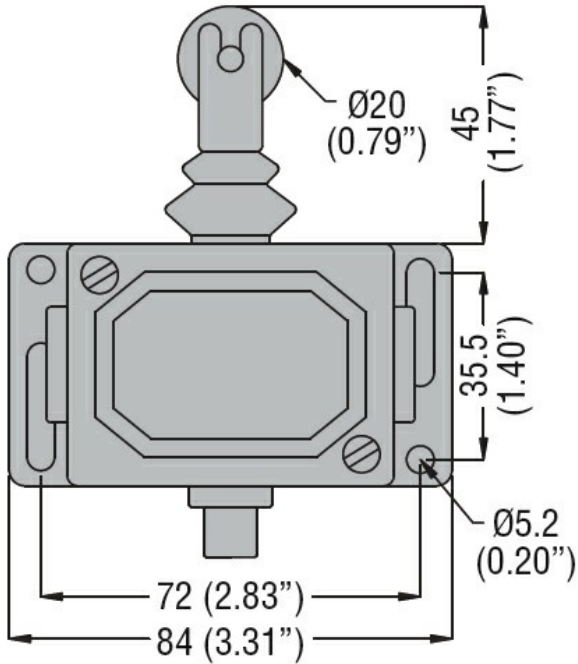
**Resistance & Protection**

IP degree

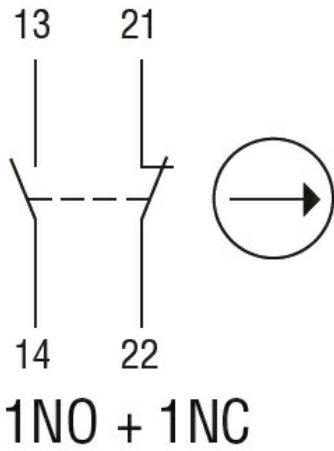
Body housing

IP40

**Dimensions**



**Wiring diagrams**



**Certifications and compliance**

Compliance

EN 81-1.

IEC/EN 60947-1

IEC/EN 60947-5-1

Certificates

EAC

**ETIM classification**

ETIM 8.0

EC000030 - End switch