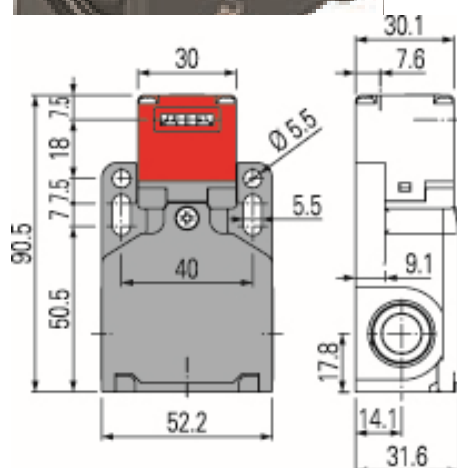
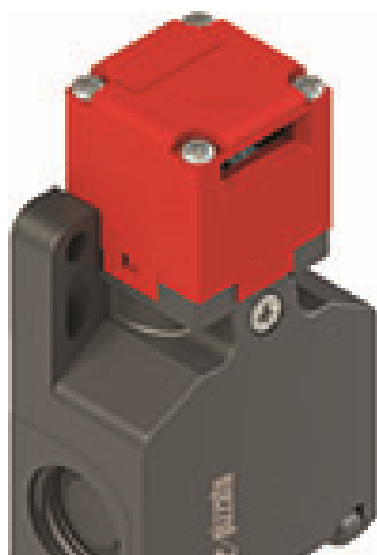


Article: **FW 2092-M2**  
 Description: Safety switch with separate actuator

 Sheet: 26255-0-en-2.1.0  
 Date: 25/06/2025  
 Page: 1/2

**Housing:**

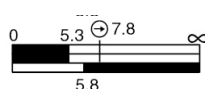
 Technopolymer housing, three knock-out threaded conduit entries M20x1,5 (FW series)  
 Protection degree: IP67 acc. to EN 60529 with cable gland presenting same or higher protection degree.

**General data**

 SIL (SIL CL) up to: SIL 3 acc. to EN 62061  
 Performance Level (PL) up to: PL e acc. to EN ISO 13849-1  
 Mechanical interlock, coded: type 2 acc. to EN ISO 14119  
 Coding level: low acc. to EN ISO 14119  
 Safety parameter B10D: 2,000,000 for NC contacts  
 Mission time: 20 years  
 Max. actuation frequency: 3600 operating cycles/hour  
 Mechanical endurance: 1 million operating cycles

**Contact block characteristics:**

Contact block	Contact diagram	Contact design	Operation type	Positive opening	Contact type	Wire cross-section min.	Wire cross-section max.	Wire stripping length	Captive screws	Terminals with finger protection
20	1NO+2NC 	Y+Y+X	slow action	yes	Double interruption, twin bridge	1 x 0.34 mm <sup>2</sup> 1 x AWG 22	2 x 1.5 mm <sup>2</sup> 2 x AWG 16	7 mm	yes	yes

**Contact block travel diagrams:**


- Closed contact
- Open contact
- Positive opening travel (EN 60947-5-1)
- Opening travel 2 x 2 mm (EN 81)
- Switch pressed
- Switch released
- Reset engagement travel
- Mechanical switching point

**Positive contact opening in conformity with standards:**

IEC 60947-5-1, EN 60947-5-1.

 Cover screws: 0,7 ... 0,9 Nm  
 Head screws: 0,5 ... 0,7 Nm  
 Lever screws: 0,7 ... 0,9 Nm  
 Contact blocks screws: 0,6 ... 0,8 Nm  
 Protection caps: 1,2 ... 1,6 Nm

**In compliance with standards:**

IEC 60947-5-1, IEC 60947-1, IEC 60204-1, EN ISO 14119, EN ISO 12100, IEC 60529, EN IEC 63000, BG-GS-ET-15, UL 508, CSA C22.2 No.14

**Approvals:**

EN 60947-5-1, UL 508, CSA C22.2 No.14, GB/T14048.5.

**Compliance with the requirements of:**

Machinery Directive 2006/42/EC, EMC Directive 2014/30/EU, RoHS Directive 2011/65/EU.

**Markings and quality marks:**

**Electrical data:**

 Thermal current (I<sub>th</sub>): 10 A  
 Rated insulation voltage (U<sub>i</sub>): 400 Vac 500 Vdc  
 Rated impulse withstand voltage (U<sub>imp</sub>): 4 kV  
 Conditional short circuit current: 1000 A according to EN 60947-5-1  
 Protection against short circuits: fuse 10 A 500 V type aM  
 Pollution degree: 3

**Utilization categories:**

 Alternate current: AC15 (50...60 Hz)  

U <sub>e</sub> (V)	250	400	500
I <sub>e</sub> (A)	6	4	1

 Direct current: DC13  

U <sub>e</sub> (V)	24	125	250
I <sub>e</sub> (A)	3	0.55	0.3

Article: **FW 2092-M2**  
 Description: Safety switch with separate actuator

 Sheet: 26255-0-en-2.1.0  
 Date: 25/06/2025  
 Page: 2/2

**Features approved by IMQ**

Rated insulation voltage (Ui): 500 Vac / 400 Vac (for contact blocks 2, 11, 12, 20, 21, 22, 28, 29, 30, 37, 33, 34)  
 Conventional free air thermal current (Ith): 10 A  
 Protection against short circuits: type aM fuse 10 A 500 V  
 Rated impulse withstand voltage (Uimp): 6 kV / 4 kV (for contact blocks 20, 21, 22, 28, 29, 30, 33, 34)  
 Protection degree of the housing: IP67  
 MV terminals (screw terminals)  
 Pollution degree: 3  
 Utilization category: AC15  
 Operating voltage (Ue): 400 Vac (50 Hz)  
 Operating current (Ie): 3 A  
 Forms of the contact element: Za, Za+Za, X+X, Zb, Y+Y, Y+Y+X, Y+Y+Y, Y+X+X, Y, X.  
 Positive opening of contacts on contact block 5, 6, 7, 8, 9, 11, 13, 14, 16, 17, 18, 19, 20, 21, 22, 28, 29, 30, 33, 34, 37, 38, 39, 66.  
 In compliance with standards: EN 60947-1, EN 60947-5-1, fundamental requirements of the Low Voltage Directive 2014/35/EU.

**Features approved by UL**

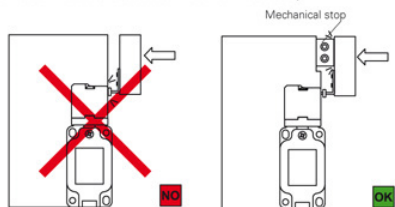
Electrical Ratings:  
 Q300 pilot duty (69 VA, 125-250 V dc)  
 A600 pilot duty (720 VA, 120-600 V ac)  
 Environmental Ratings: Types 1, 4X, 12, 13

For all contact blocks except 2 and 3 use 60 or 75°C copper (Cu) conductors, rigid or flexible, wire size 12, 14 AWG. Tightening torque for terminal screws of 7.1 lb in (0.8 Nm).

For contact blocks 2 and 3 use 60 or 75°C copper (Cu) conductors, rigid or flexible, wire size 14 AWG. Tightening torque for Terminal screws of 12 lb in (1.4 Nm).

**Mechanical stop**

In accordance with the EN ISO 14119 standard, paragraph 5.2, "the position sensors should not be used as mechanical stop".





The actuator must not strike directly against the switch head.

**Actuation speed:**

Vmax (m/s)	Vmin (mm/s)
0,5	1

**Installation of single switches with safety functions**

- Use **only** switches with the symbol 
- Connect the safety circuit to **the NC normally closed contacts (11-12, 21-22 or 31-32)**.
- **The NO normally open contacts (13-14, 23-24, 33-34)** should be used **only for signalling**; these contacts are not to be connected with the safety circuit. However, if two or more switches are used on the same guard, a connection can be established between the NO contacts and the safety circuit.  
 In this case at least one of the two switches must have positive opening and a normally closed contact NC (11-12, 21-22 or 31-32) must be connected to the safety circuit.
- Actuate the switch **at least up to the positive opening travel** shown in the travel diagrams with symbol .
- The actuation system must be able to exert a force that is greater than the **positive opening force**.
- The device must be affixed in compliance with EN ISO 14119.