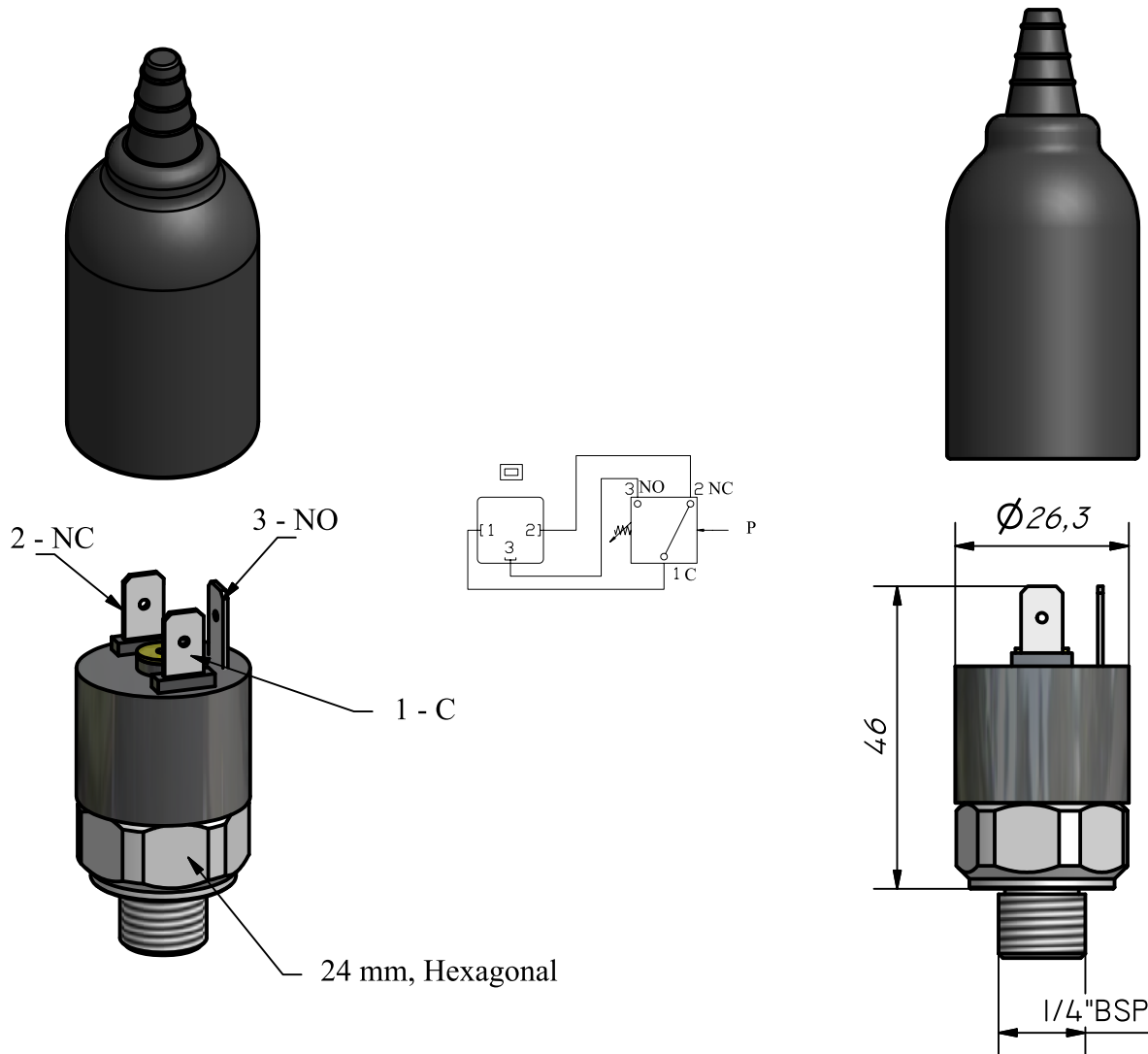


PRESSURE SWITCH

Pressure switch F4TIM/P3PI type with exchange contact NO/NC and low hysteresys value.



TECHNICAL DATA

Switches pressure range:	5 ÷ 70 bar
Switches pressure max.	150 bar
Max electric load:	0,5 A at 250 V AC - 0,25 A at 125 V DC