



## BN 32-R-1279 1,0M

- Flat plug-in connector 4.8 mm
- Non-contact principle
- 1 Reed kontakts
- Long life
- Actuating surface and direction of actuation marked by switch symbol
- 85 mm x 26 mm x 24 mm
- Thermoplastic enclosure
- Actuating distance up to 55 mm depending on actuating magnet and version
- Spade connector

## Data

### Ordering data

Product type description	BN 32-R-1279 1,0M
Article number (order number)	101080369
EAN (European Article Number)	4030661025322
eCl@ss number, version 12.0	27-27-43-02
eCl@ss number, version 11.0	27-27-01-05
eCl@ss number, version 9.0	27-27-01-05
ETIM number, version 7.0	EC002544
ETIM number, version 6.0	EC002544

### General data

Working principle	Magnetic drive
Housing construction form	rectangular
Housing material	Glass-fibre, reinforced thermoplastic

Active area	Plastic
Gross weight	128 g

### General data - Features

Latching	Yes
Suitable for elevators	Yes
Number of snap-in contacts	1

### Mechanical data

Actuating element	Magnet
Mechanical life, minimum	1,000,000,000 Operations
Actuating speed, maximum	18 m/s

### Mechanical data - Switching distances according EN IEC 60947-5-3

Note (Switching distance  $S_n$ ) Actuating distance up to 55 mm depending on version and actuating magnet

### Mechanical data - Connection technique

Length of cable	1 m
Wire cross-section	0.75 mm <sup>2</sup>
Wire cross-section	18 AWG
Material of the Cable mantle	H03VV-F

### Mechanical data - Dimensions

Length of sensor	24 mm
Width of sensor	85 mm
Height of sensor	26 mm

### Ambient conditions

Degree of protection	IP67
----------------------	------

Ambient temperature	-25 ... +90 °C
Resistant to vibration	15 g, on sine wave oscillation

## Electrical data

Switching current, maximum	3 A
Switching capacity, maximum	120 W
Switching capacity, maximum	120 VA

## Electrical data - Digital Output

Design of control elements	Reed contacts
----------------------------	---------------

## Scope of delivery

Scope of delivery	Actuator must be ordered separately.
-------------------	--------------------------------------

## Accessory

Recommendation (actuator)	BP 10 S 2x BP 10 S BP 15 S BP 34 S BP 20 S BP 31 S BP 11 S 2x BP 11 S BP 12 S BP 21 S 2x BP 21 S BP 10 N 2x BP 10 N BP 15 N 2 x BP 15/2 N 2x BP 15/2 S BP 34 N BP 20 N BP 31 N
---------------------------	--

## Note

Note (General)

The opening and closing functions depend on the direction of actuation, the actuating magnets and the polarity of the actuating magnets.

## Pictures

### Product picture (catalogue individual photo)



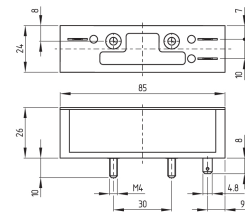
ID: kbn32f02

| 281.3 kB | .jpg | 352.778 x 192.617 mm - 1000 x 546 px - 72 dpi

| 20.4 kB | .png | 74.083 x 40.569 mm - 210 x 115 px - 72 dpi

| 35.6 kB | .jpg | 123.472 x 67.381 mm - 350 x 191 px - 72 dpi

### Dimensional drawing basic component



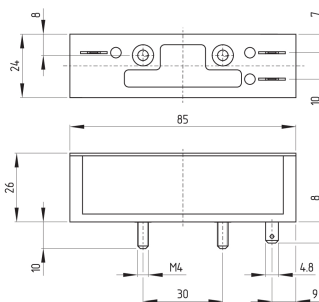
ID: 1bn32g03

| 28.6 kB | .cdr |

| 3.4 kB | .png | 74.083 x 51.153 mm - 210 x 145 px - 72 dpi

| 85.4 kB | .jpg | 352.778 x 243.769 mm - 1000 x 691 px - 72 dpi

### Dimensional drawing basic component



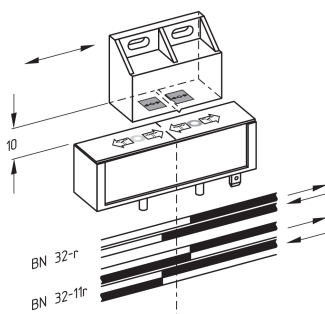
ID: kbn32g03

| 27.7 kB | .cdr |

| 4.0 kB | .png | 74.083 x 68.439 mm - 210 x 194 px - 72 dpi

| 116.9 kB | .jpg | 352.778 x 325.967 mm - 1000 x 924 px - 72 dpi

## Diagram



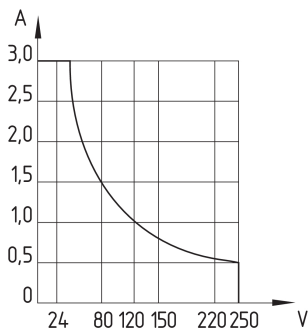
ID: 1bn32k02

| 32.7 kB | .cdr |

| 197.8 kB | .jpg | 352.778 x 336.55 mm - 1000 x 954 px - 72 dpi

| 19.3 kB | .png | 74.083 x 70.556 mm - 210 x 200 px - 72 dpi

## Characteristic curve



ID: kbn32d01

| 110.5 kB | .jpg | 352.425 x 371.828 mm - 999 x 1054 px - 72 dpi

Schmersal Ltd., Sparrowhawk Close, WR14 1GL Malvern

The details and data referred to have been carefully checked. Images may diverge from original. Further technical data can be found in the manual. Technical amendments and errors possible.

Generated on: 25/06/2024, 12:33