



OSG- Stand, Adjustable

Reference:

Installation manual OSG - Stand, Adjustable (6090295)

OSG - stand, adjustable is an adaptable support with 2 tension weight pulleys to avoid the rope running against the foot of the OSG or to fit existing holes in the floor.

Contents of packaging

1. Mounting beam - 1pc
2. Side support - 2 pcs
3. Tension weight pulley (6090294) -2 pcs
4. Plastic grip bag with accessories - 1 pc

Recommended tools

Wrench – 15, 16 & 30mm

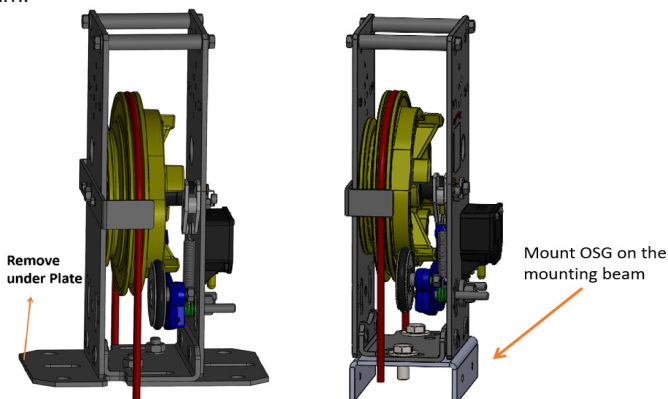
Required material

Suitable drills+bolts for attachment.

1. Assembly of OSG-stand with Montanari OSG

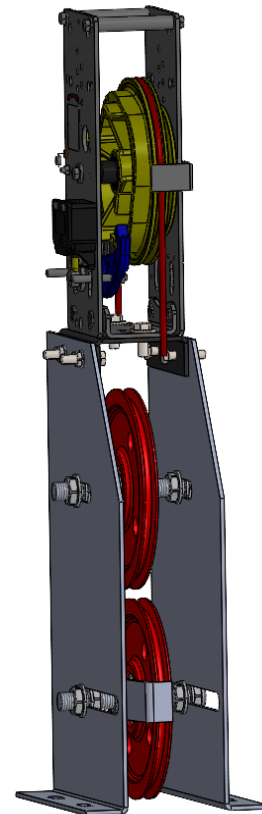
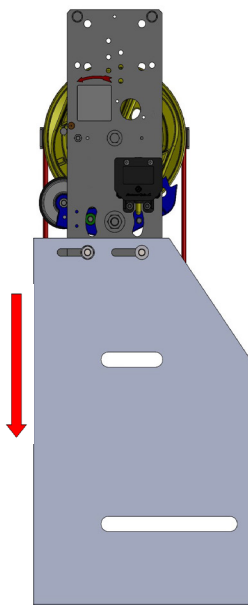
Most models of the Overspeed governors can be mounted and adjusted on the OSG Stand, adjustable. Instructions for Montanari OSG - RQA200 standard.

i. Remove the bottom plate and mount the OSG on the mounting beam.



ii. Fix the mounting beam to side support, using M10 hex bolts, nuts and washers.

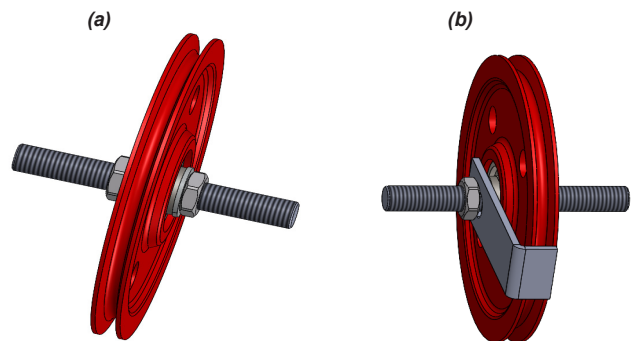
***NOTE! The long straight side of the side support is against the direction of rotation/catch direction of the HR**



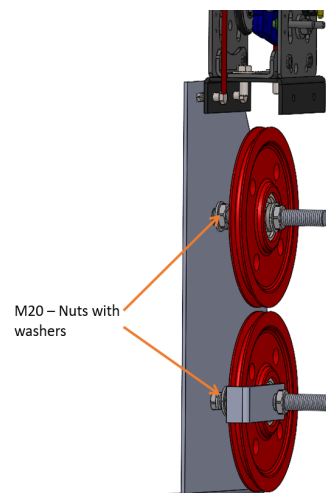
OSG-Stand, Adjustable (6090295)

*The picture shows the OSG Stand with Montanari Overspeed Governor(OSG)

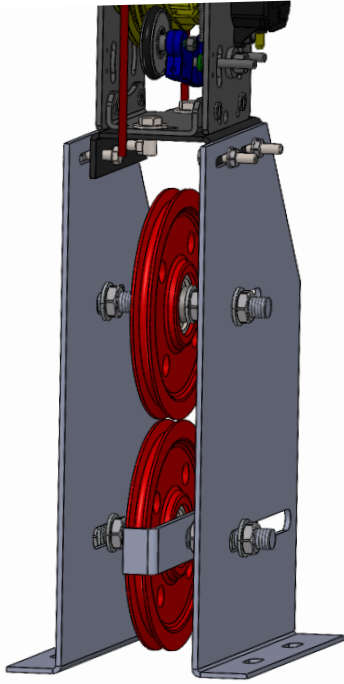
iii. a. Mount the two tension-weight pulleys on the threaded rods.
b. Install the derailment guard on the lower wheel on the side where the rope goes down to the floor.



iv. Mount them with M20 washers and nuts on side support. See picture

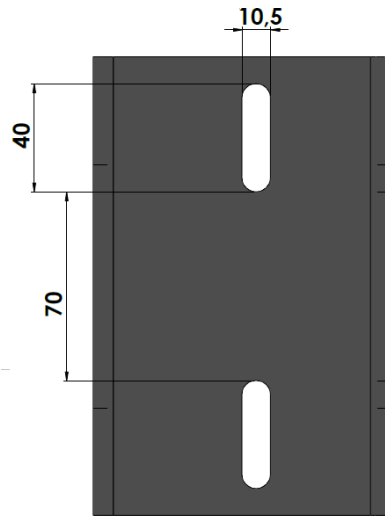


iv. Fix remaining side support on the other end. See picture

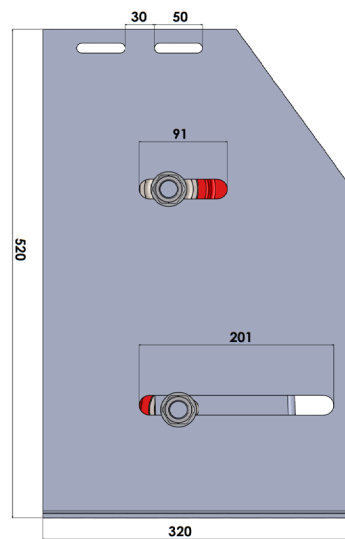


v. Finally, attach OSG -Stand assembly to the floor or foundation.

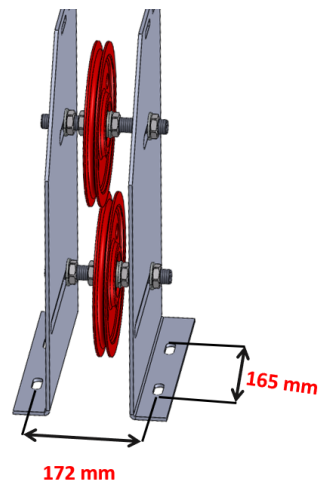
3. Dimensions and Overview



(i) Mounting beam



(ii) Side Support



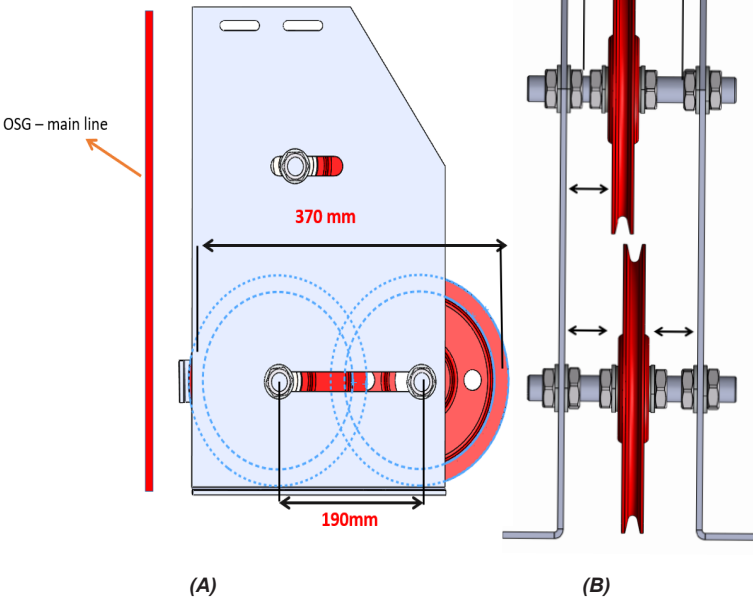
(iii) Distance between fixing holes

2. Adjustments/Settings on OSG- stand

Adjust as needed:

A) Sidewards: Tension-weight pulley position can be adjusted 370mm depending on the OSG mounted. See picture (A)

B) Depthways: The position of the tension-weight pulleys can be adjusted on the M20 threaded rod depending on the OSG used and depending on desired track/position. See picture(B)



TECHNICAL SPECIFICATIONS

Measurements: 320X520, 5mm thickness
 Material: steel, Blue passivated
 Weight: 25- 28 kgs

RECOMMENDATIONS

OSG -Stand, adjustable is heavy after assembling and mounting. In case moving or lifting, it is recommended to be more cautions.

For futher questions, Contact Hissmekano AB.