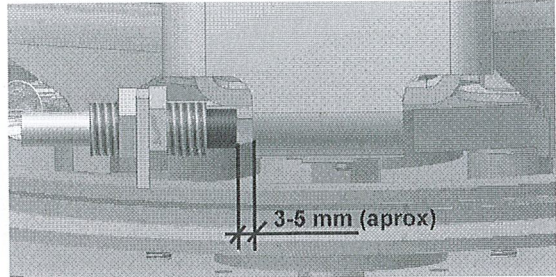
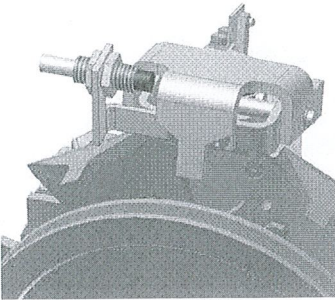
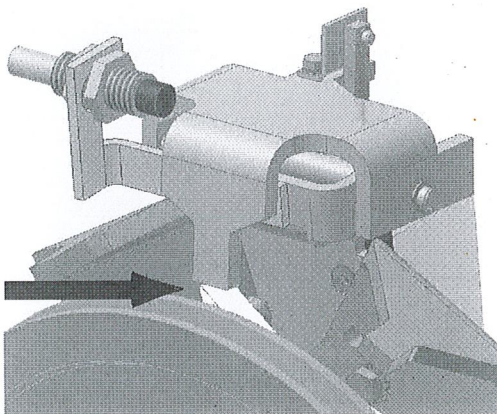


	REV	FECHA	PÁGINA
ASSEMBLY OF CONTROL SENSOR IN PARKING SYSTEM	01	15/05/2013	1 / 1

ASSEMBLY OF CONTROL SENSOR IN PARKING SYSTEM OF -VEGA- OVERSPEED GOVERNOR



In unlock position, the sensor must detect the nail is opened. This measure is orientative, the adjusting of the sensor should be checked on site.



THE PARKING SYSTEM IN LOCK POSITION

When the nail of the parking system rest on this part of the centrifugal mass, the led must not indicate light.

It's recommended to check that the sensor doesn't detects when the coil is not energized in every floor of the installation