

... for a safe journey
in elevator cars without
car doors.



cegard/Lift LI

Testable safety light curtain for
elevator cars without car doors



Description

The protective light curtain **cegard/Lift LI** is designed to be installed in elevators where the elevator car has no doors. It is approved by TÜV in Germany according to the TRA 200, which specifies a type 2 ESPS (electro-sensitive protective system with integrated self-testing).

cegard/Lift is an alternative to the extensive work of fitting doors on an existing elevator installation which normally heavily reduces both volume and performance.

As **cegard/Lift** in operation uses up to 46 (optional 70) beams, the optical resolution and consequently safety is thereby heavily increased.

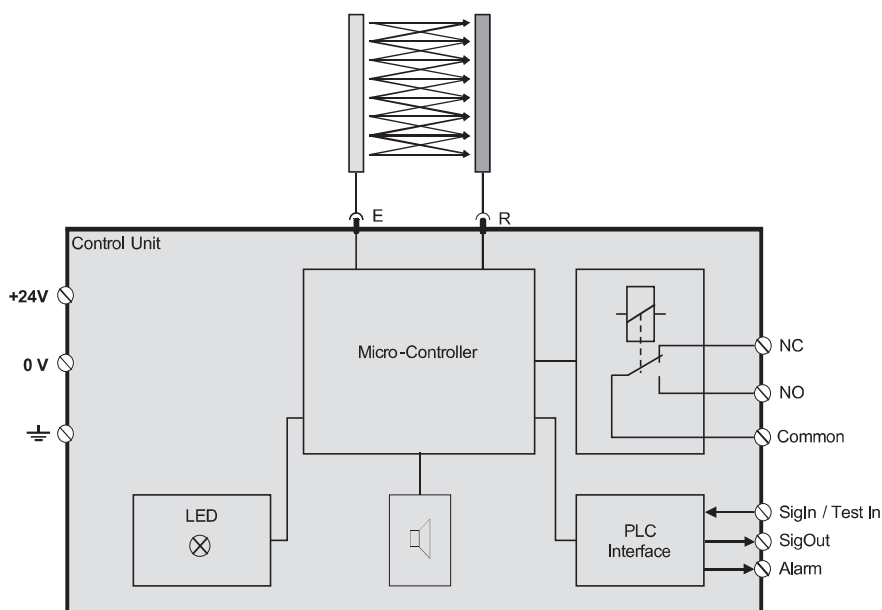
The optional mounting kits can be supplied as either a surface mounted model or as a back wall model. The latter has the advantage that the existing net door width can be maintained. The system is designed to survey one or two lift accesses.

cegard/Lift can be easily connected to almost all existing elevator controllers without the need for additional elevator cables to be installed.

Features

- Tested acc. to EN 62061: 2005, EN 61496-1, EN 61496-2: 2006 BWS type 2
- Absolutely ideal for use in elevator cabins without car doors
- Simple installation and integration with existing elevator controllers
- Test input enables the testing of the system (EN 954-1)
- No adjustments or optical alignment necessary
- Simple mounting
- Robust and compact design
- Self-calibrating

Block circuit diagram



Technical Data

Supply voltage	24 VDC ± 20 %
Current consumption	< 150 mA
<i>Outputs by interrupted light beam</i>	
- Relay	change-over contact 24V / 1 A
- 2 semiconductor outputs	PNP 100 mA, short circuit proof
- Acoustic signal	buzzer 4 kHz
Response time output	< 80 ms typ. 50 ms
<i>Input</i>	
- Test	0 ... 3 VDC "Low" 10 ... 30 VDC "High"
<i>Optical edges</i>	
Cable length	6 m
Operating range	0,7 ... 4,0 m
Active protection field	1'630 mm
No. of light beams	46 beams
<i>Enclosure rating</i>	
- Control unit	IP20
- Optical edges	IP65
<i>Temperature range</i>	
- Operation	+10° ... +65°C
- Operation below +10°C	cegard/Lift LI, IP67

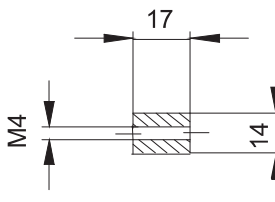
Technical drawing cegard/Lift LI

Robust control unit

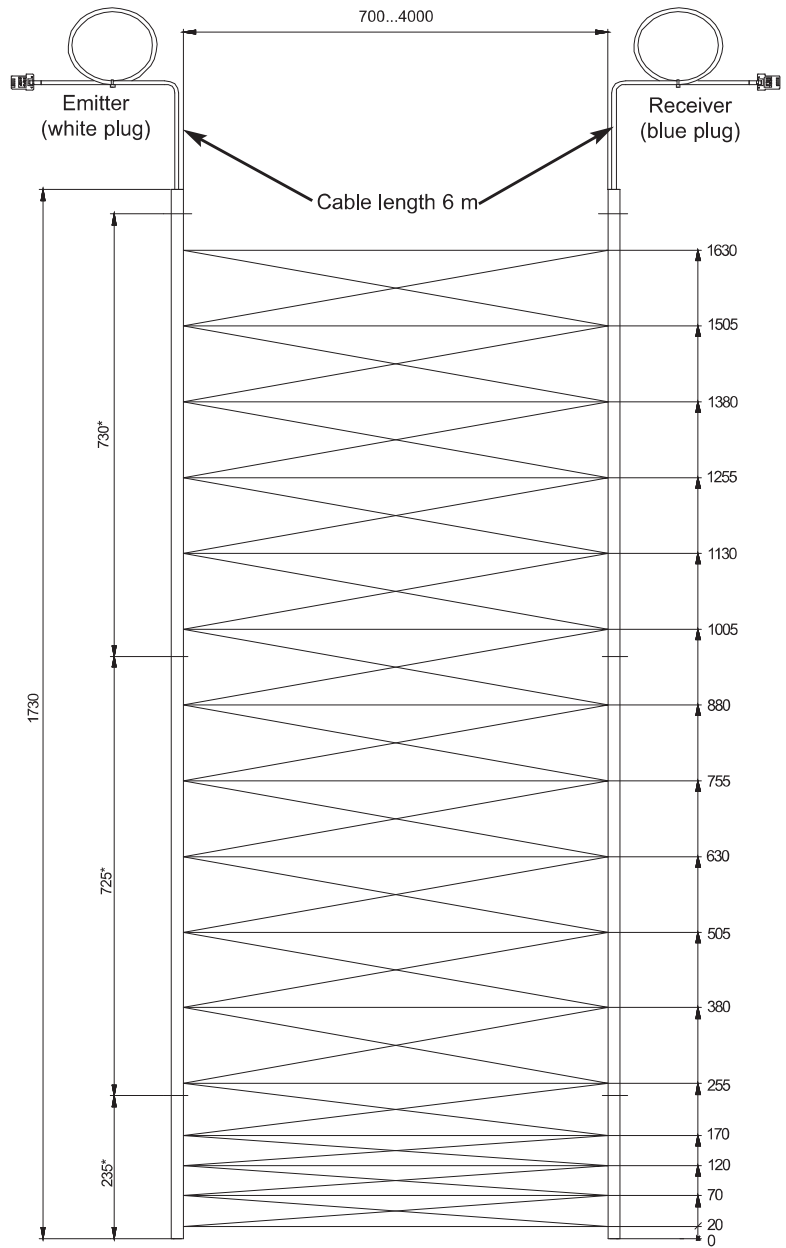
Space required L x W x D = 200 x 120 x 45 mm



Cross section of the optical edge



Optional: Through hole



* = Mounting holes \varnothing 4.5 mm

- Optional: • 70 beams
- Operating range 4 ... 8 m

(All dimensions in mm)

Order information

Part No.	Type	Description
100 891	cegard/Lift LI	Complete system with control unit, emitter and receiver edges 0.7 - 4.0 m
100 892	cegard/Lift LI	Complete system with control unit, emitter and receiver edges 4.0 - 8.0 m
100 847	Accessory	Mounting kit for flush mounting, including drill pattern, drill, (stainless steel, painted yellow-black)
100 848	Accessory	Mounting kit for surface mounting inside cabin, including drill pattern, drill, (stainless steel, painted yellow-black)
100 849	Accessory	Alarm unit to indicate emergency stop, surface mounted

Other configurations on demand, for example optical edges with 24 elements, other active protection fields or cable lengths