

# Tube door closer RTS

The 'invisible' door closer, especially for gates



Video



Website

## CHARACTERISTICS

- Practically invisible, as it is built into the door: only the joint can be seen when door is open
- Often used on outside gates (garden gates, admission gates to industrial plants, etc.)
- Perfect solution for admission gates into industrial plants with access control which have to close reliably (Supply Chain Security)
- Its concealed installation protects it from the weather and makes it largely vandal-proof
- Its abrasion-resistant special joint is flexible so that the tube door closer can be used with different door hinges
- Depending on the door hinges, the doors can be opened up to 180°



## TECHNICAL DATA

Type of doors	steel, wood & aluminum doors
Closing speed	adjustable
Material	steel
Finish	zinc-plated
Door weight	max. 80 kg
Door height	max. 2500 mm
Door width	750 - 1150 mm
Opening angle	90 - 180°, depending on the type of hinges used



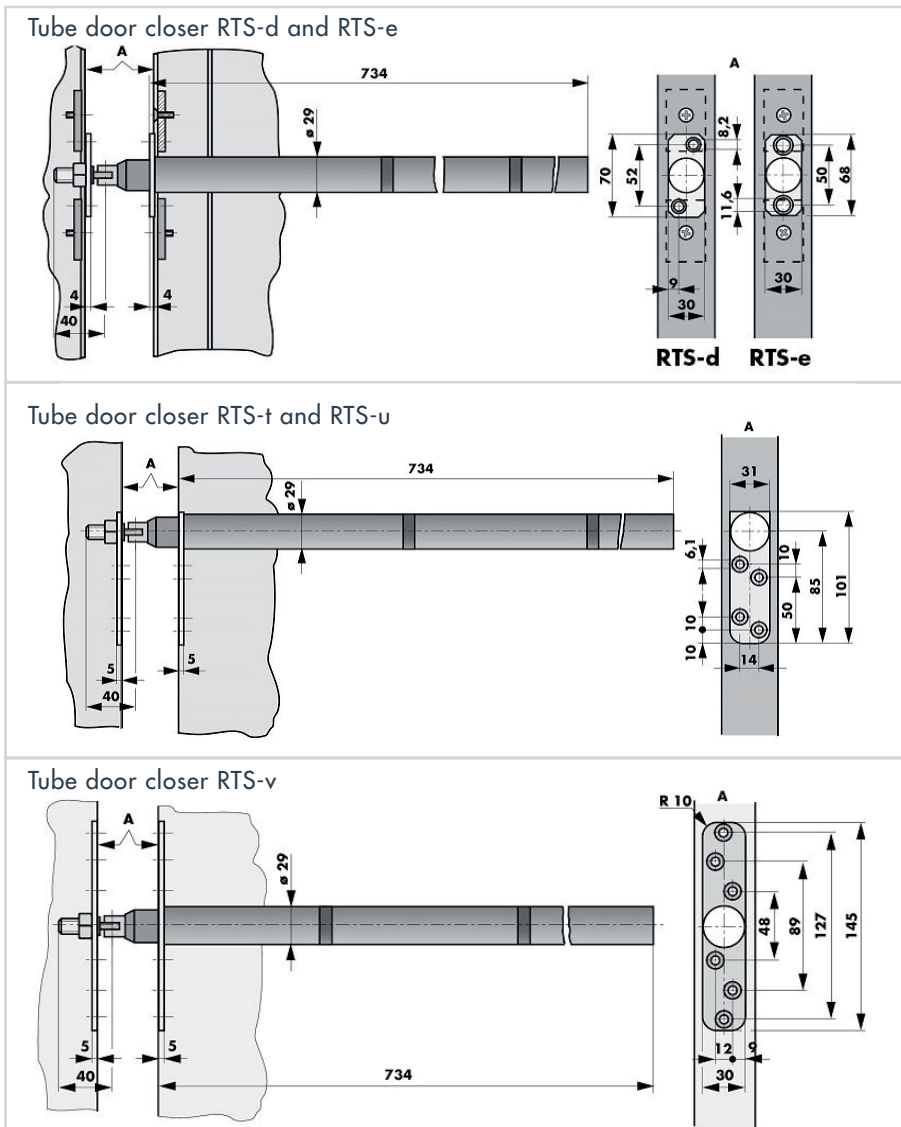
Questionnaire

## MODELS

	RTS-d & RTS-e	RTS-t & RTS-u	RTS-v
Door type	For steel and aluminium doors		Specifically for flush wooden doors (min. 40 mm thick), fitted with tube door closer during the manufacturing process
Differentiating features	RTS-d and RTS-e only differ in the position of the holes on the front plate (see drawings in the section 'dimensions'). Due to its fixing holes the RTS-e can be used as replacement for GEZE ROR TS 450 tube door closer.	RTS-t and RTS-u tube door closers only differ in the position of their adjustment groove in the joint. RTS-t: Installation on top of DIN left doors, on bottom of DIN right doors RTS-u: Installation on top of DIN right doors, on bottom of DIN left doors	-
Assembly notes	These types are preferably installed in the middle cross profile.	Suitable for installation either on the top or the bottom of the door.	The tube door closer can be installed at any position, preferably centered between the hinges.

## DIMENSIONS

All dimensions in mm



**INSTALLATION NOTES**

**Hinge dimensions to be observed**

All dimensions in mm



Installation instructions  
RTS d/e



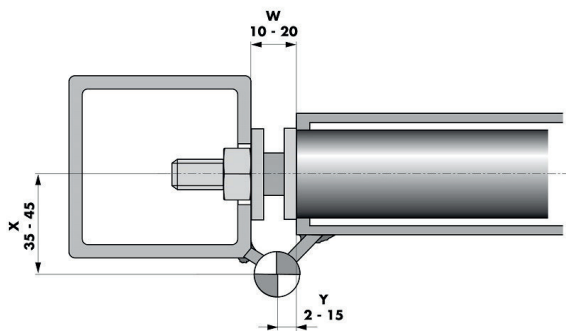
Installation instructions  
RTS t/u



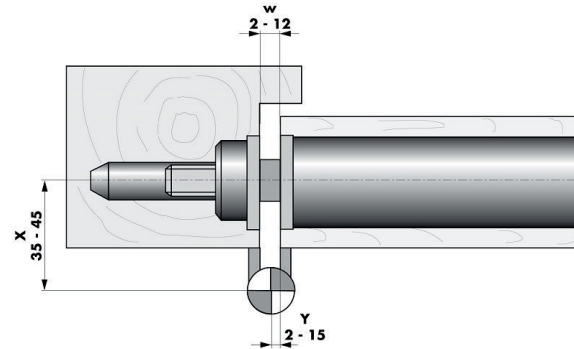
Installation instructions  
RTS v

The RTS tube door closer can be mounted into a wide range of door models with different types of hinges due to its flexible joint. Nevertheless, certain hinge dimensions must be observed. Dimensions W, X and Y given in the drawings must be necessarily observed; otherwise the opening angle, latch action and closing will be affected and the RTS tube door closer could get damaged. Should you have any questions, please contact our Technical Customer Service.

**Installation on aluminium and steel doors**

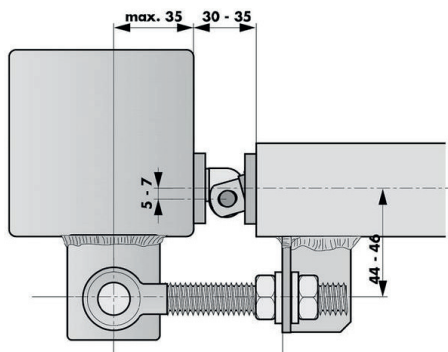


**Installation on flush wooden doors**

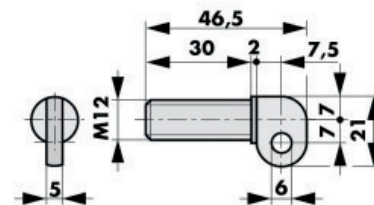


**Installation on gates with screw-hinges**

(Warning: use angled eyelet!)



When the RTS door closer is installed in gates with screw hinges, the angled eyelet has to be used.



**ORDER INFORMATION**

Description	Part no.
RTS d, for steel and aluminium doors, long joint	400520
RTS t, installation top DIN left or bottom DIN right, long joint	400525
RTS u, installation top DIN right or bottom DIN left, long joint	400526
RTS v, for wooden doors, installation in centre, long joint	400527
RTS e (replacement for GEZE ROR TS 450), long joint	400529