

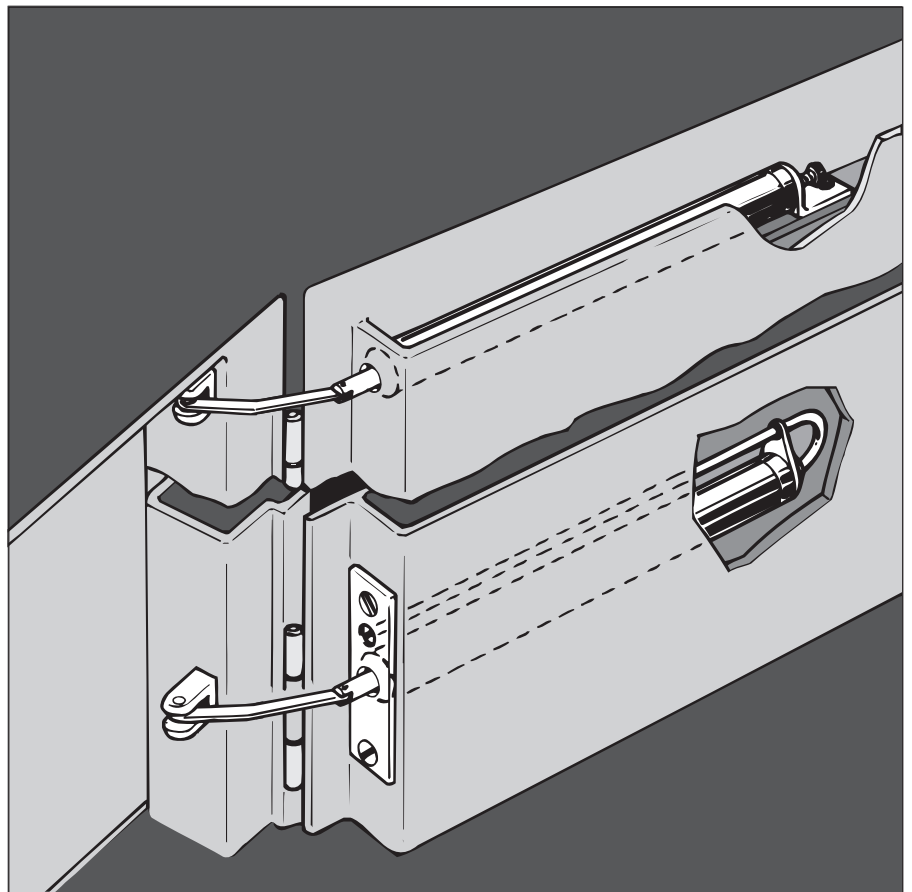
ATS Concealed Tube Door Closer

The DICTATOR ATS concealed tube door closer is designed especially for lift swing doors. They can be used on both left and right hand doors up to 2400 mm height.

The integrated spring closes the door, with the speed being controlled hydraulically. The closing speed is adjustable to provide a sure, softly dampened closing with activating the door contacts.

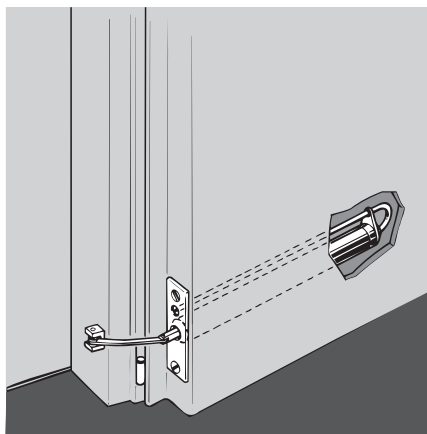
An integrated safety valve prevents any damage to the door closer should the door be forced to close.

One of the main advantages of the ATS concealed tube door closers is that when being installed they are totally hidden. They can also be retrofitted.



How to choose the right ATS concealed door closer:

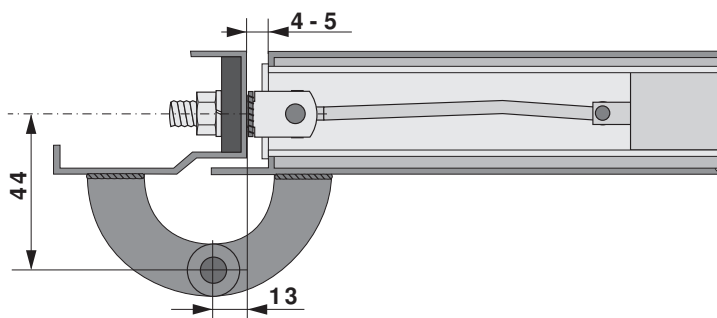
Door hinge	Door width [mm]	Door weight [kg]	Door leaf [mm] (inside dimension)	ATS model
pivoting hinge	700 - 900	60 - 70	larger than 30	ATS 500/30
pivoting hinge	700 - 900	60 - 70	larger than 35	ATS 500/35
pivoting hinge	900 - 1200	100 - 110	larger than 30	ATS 600/30
pivoting hinge	900 - 1200	100 - 110	larger than 35	ATS 600/35
construction hinge	700 - 900	60 - 70	larger than 30	ATS 500/30 K
construction hinge	700 - 900	60 - 70	larger than 35	ATS 500/35 K
construction hinge	900 - 1200	100 - 110	larger than 30	ATS 600/30 K
construction hinge	900 - 1200	100 - 110	larger than 35	ATS 600/35 K



ATS Concealed Door Closer with Front Plate For Lift Doors with Pivot Hinges

The ATS concealed tube door closer can be fitted to lift swing doors with pivot hinges once a suitably sized hole has been drilled into the door - preferably near one of the hinges.

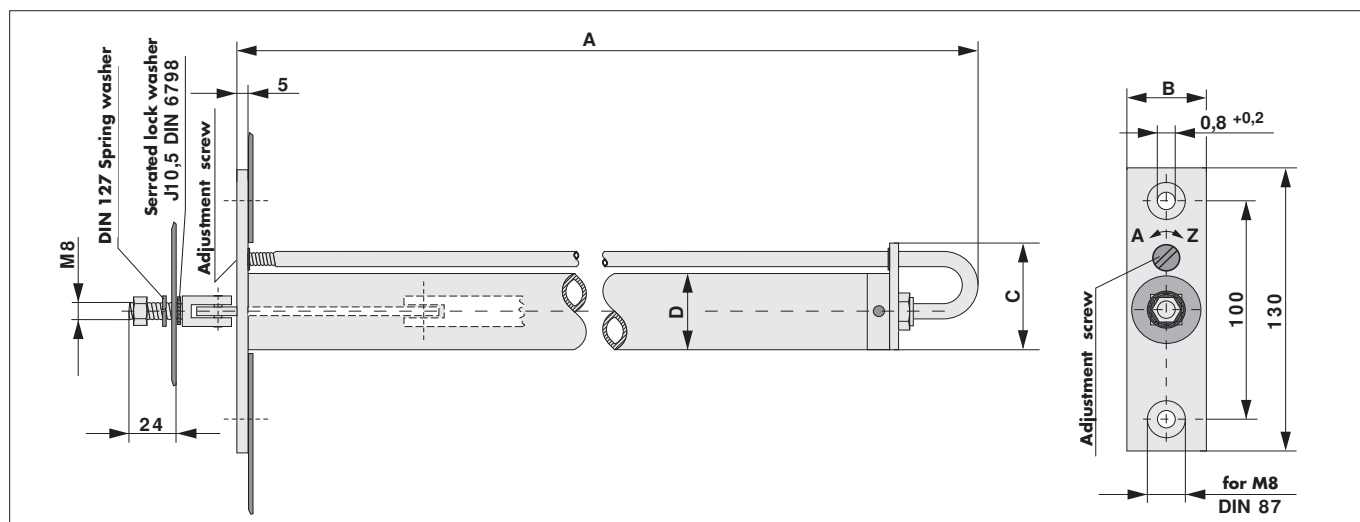
Advice: Please observe the following distances to the pivot of the door and between door and frame as well as the installation instructions.



Technical Data

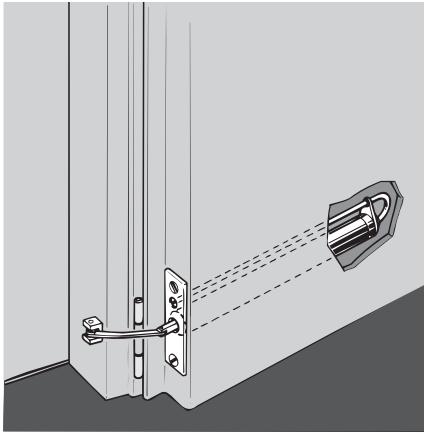
	ATS 500/30 A	ATS 500/35 A	ATS 600/30 A	ATS 600/35 A
Length A [mm]	500	500	550	550
Cylinder D [mm]	Ø 29	Ø 34	Ø 29	Ø 34
Front plate B [mm]	30	35	30	35
Rear plate C [mm]	47	49	47	49
Closing force (0°) [N]	12	12	18	18
Opening force (0° - 90°) [N]	20 - 30	20 - 30	30 - 40	30 - 40
Closing time (90° - 0°) [sec]	3 - 4	3 - 4	3 - 4	3 - 4
Max. opening angle	165°	165°	165°	165°

Dimensions



Order Information

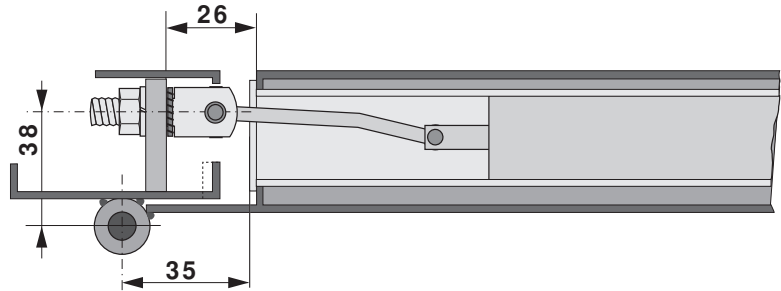
ATS 500/30 A concealed door closer	part no. 400200
ATS 500/35 A concealed door closer	part no. 400203
ATS 600/30 A concealed door closer	part no. 400220
ATS 600/35 A concealed door closer	part no. 400223



ATS-K Concealed Door Closer with Front Plate For Lift Doors with Construction Hinges

The ATS-K concealed tube door closer can be fitted to lift swing doors with construction hinges once a suitably sized hole has been drilled into the door - preferably near one of the hinges.

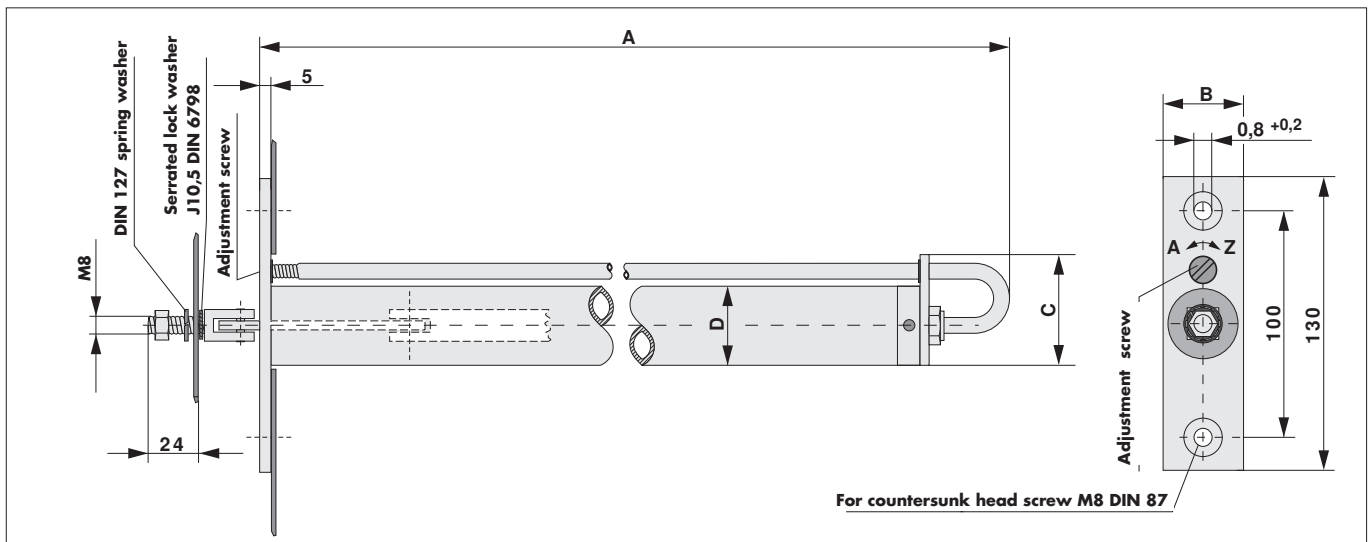
Advice: Please observe the following distances to the pivot of the door and between door and frame as well as the installation instructions.



Technical Data

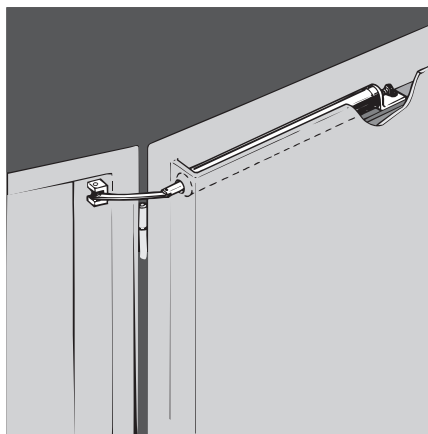
	ATS 500/30-K	ATS 500 35-K	ATS 600/30-K	ATS 600/35-K
Length A [mm]	500	500	550	550
Cylinder D [mm]	Ø 29	Ø 34	Ø 29	Ø 34
Front plate B [mm]	30	35	30	35
Rear plate C [mm]	47	49	47	49
Closing force (0°) [N]	12	12	20	20
Opening force (0° - 90°) [N]	20 - 30	20 - 30	30 - 40	30 - 40
Closing time (90° - 0°) [sec]	3 - 4	3 - 4	3 - 4	3 - 4
Max. opening angle	120°	120°	120°	120°

Dimensions



Order Information

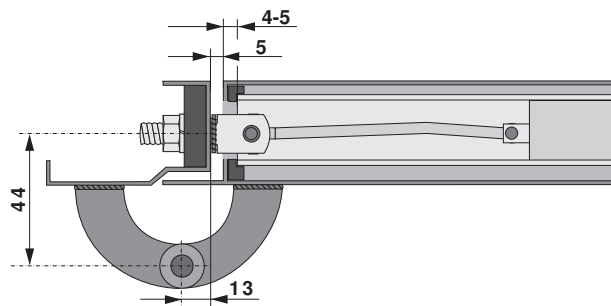
ATS 500/30 K, A concealed door closer	part no. 400201
ATS 500/35 K, A concealed door closer	part no. 400205
ATS 600/30 K, A concealed door closer	part no. 400221
ATS 600/35 K, A concealed door closer	part no. 400225



Easily installed ATS-O Concealed Door Closer For Lift Doors with Pivot Hinges

The ATS-O concealed tube door closer can be fitted to lift swing doors with pivot hinges when there is a suitable groove at the top of the door in which to fit the tube door closer.

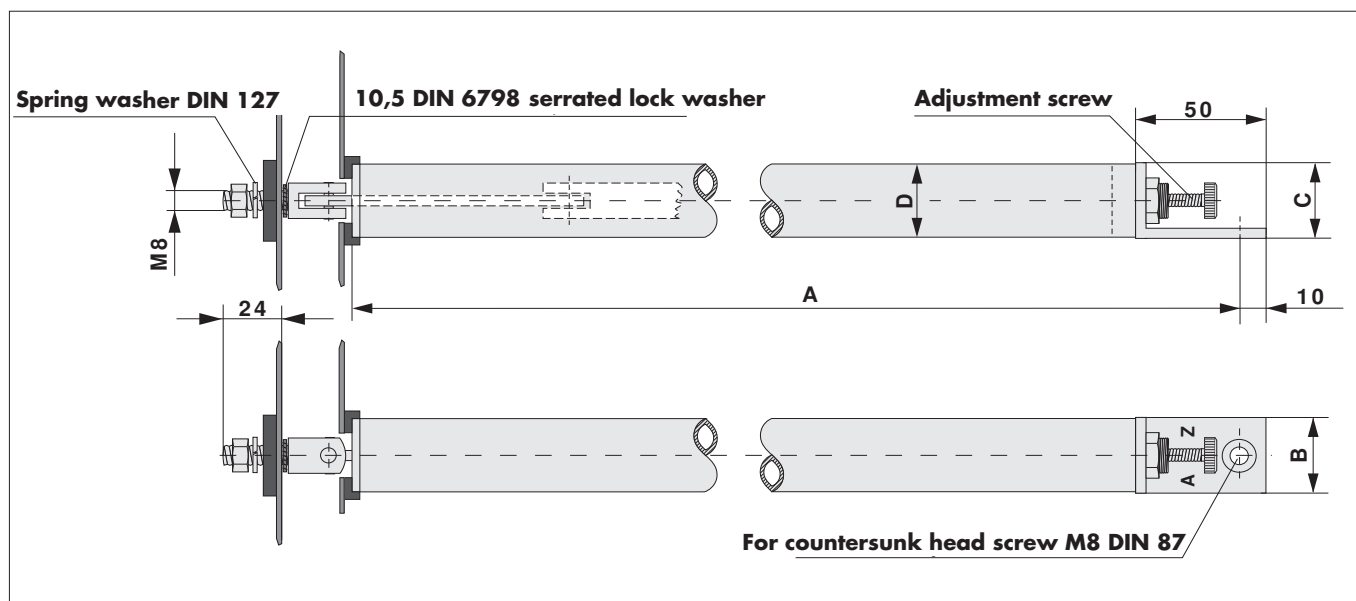
Advice: Please observe the following distances to the pivot of the door and between door and frame as well as the installation instructions.



Technical Data

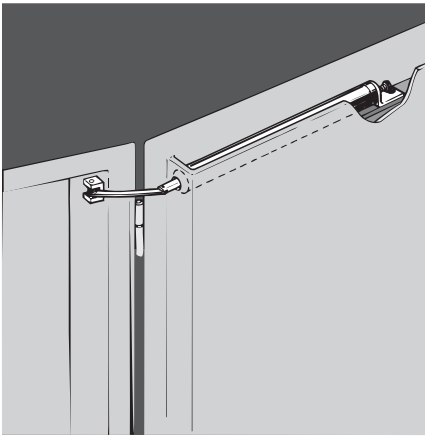
	ATS 500/30-O	ATS 500/35-O	ATS 600/30-O	ATS 600/35-O
Length A [mm]	500	500	551	551
Cylinder D [mm]	Ø 29	Ø 34	Ø 29	Ø 34
Bracket B/C [mm]	30/30	35/35	30/30	35/35
Closing force (0°) [N]	12	12	20	20
Opening force (0° - 90°) [N]	20 - 30	20 - 30	30 - 40	30 - 40
Closing time (90° - 0°) [sec]	3 - 4	3 - 4	3 - 4	3 - 4
Max. opening angle	165°	165°	165°	165°

Dimensions



Order Information

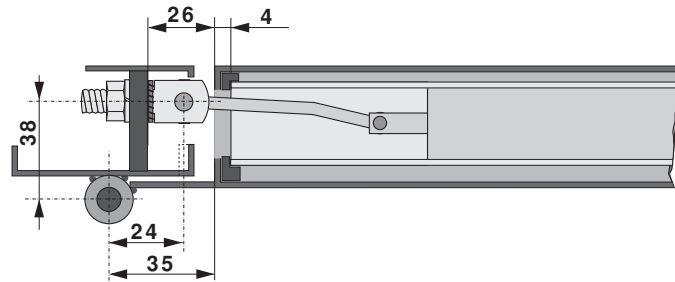
ATS 500/30 O, A concealed door closer	part no. 400199
ATS 500/35 O, A concealed door closer	part no. 400204
ATS 600/30 O, A concealed door closer	part no. 400238
ATS 600/35 O, A concealed door closer	part no. 400224



Easily Installed ATS-KO Concealed Door Closer For Lift Doors with Construction Hinges

The ATS-KO concealed tube door closer can be fitted to lift swing doors with construction hinges when there is a suitable groove at the top of the door in which to fit the tube door closer.

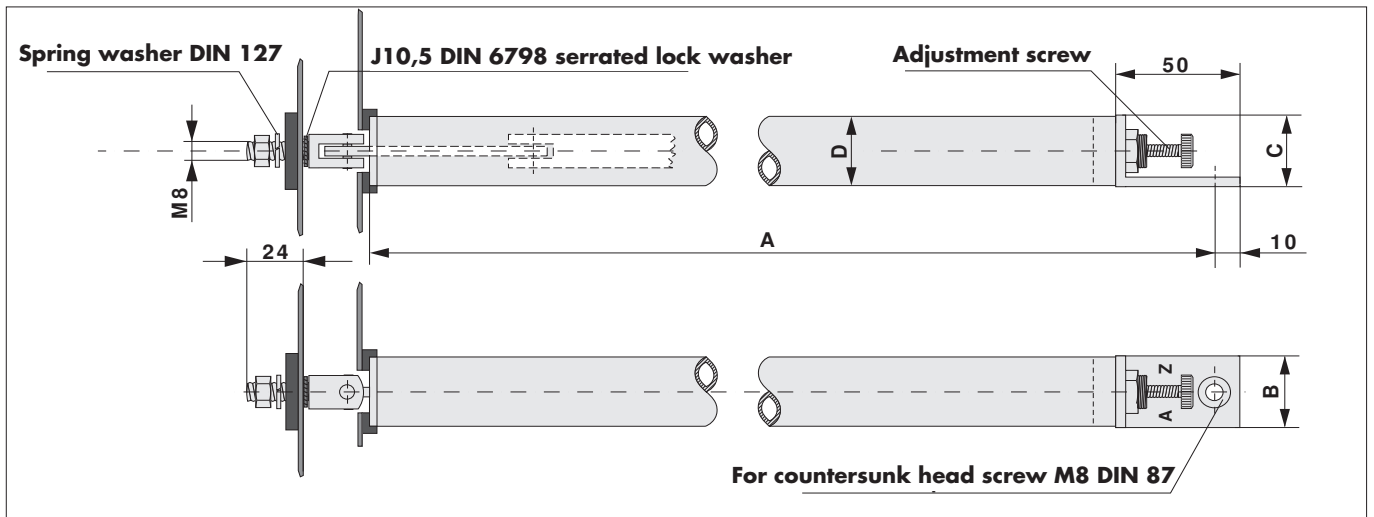
Advice: Please observe the following distances to the pivot of the door and between door and frame as well as the installation instructions.



Technical Data

	ATS 500/30-KO	ATS 500/35-KO	ATS 600/30-KO	ATS 600/35-KO
Length A [mm]	500	500	551	551
Cylinder D [mm]	Ø 29	Ø 34	Ø 29	Ø 34
Bracket B/C [mm]	30/30	35/35	30/30	35/35
Closing force (0°) [N]	12	12	20	20
Opening force (0° - 90°)[N]	20 - 30	20 - 30	30 - 40	30 - 40
Closing time (90° - 0°) [sec]	3 - 4	3 - 4	3 - 4	3 - 4
Max. opening angle	120°	120°	120°	120°

Dimensions



Order Information

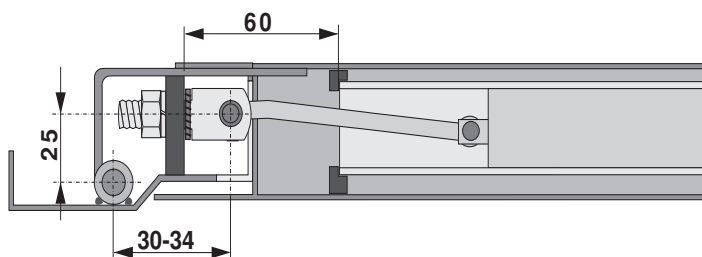
ATS 500/30 KO, A concealed door closer	part no. 400202
ATS 500/35 KO, A concealed door closer	part no. 400206
ATS 600/30 KO, A concealed door closer	part no. 400222
ATS 600/35 KO, A concealed door closer	part no. 400226



Easily installed ATS-O Concealed Door Closer For Lift Doors with Pivot Hinges

ATS 400-O and ATS 800-O concealed tube door closers can be fitted to lift swing doors with hinges in between the door and frame when there is a suitable groove at the top of the door in which to fit the tube door closer.

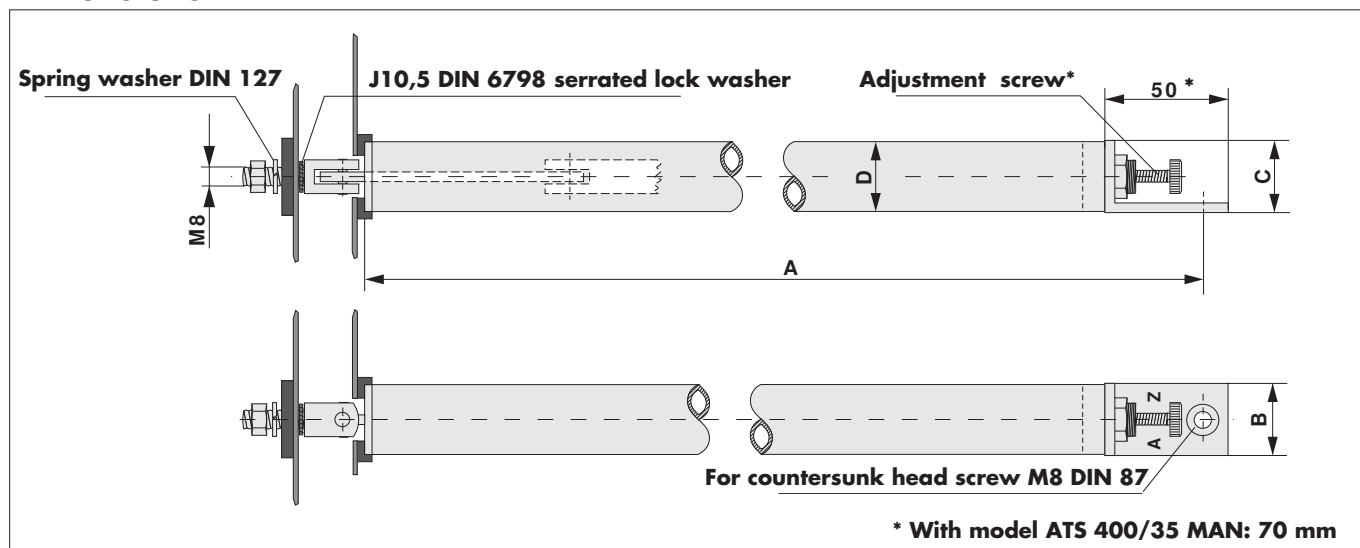
Advice: Please observe the following distances to the pivot of the door and between door and frame as well as the installation instructions.



Technical Data

	400/35-O	400 35-AK	400/35-KL	400/35-MAN*	800/35-OA
Length A [mm]	500	420	320	520	551
Cylinder D [mm]	Ø 34	Ø 34	Ø 34	Ø 34	Ø 34
Bracket B/C [mm]	34/34	34/34	34/34	34/34	34/34
Closing force (0°) [N]	12	12	12	18	18
Opening force (0°-90°) [N]	20 - 30	20 - 30	20 - 30	30 - 40	30 - 40
Closing time (90°-0°) [sec]	3 - 4	3 - 4	3 - 4	3 - 4	3 - 4
Max. opening angle	110°	110°	110°	110°	110°

Dimensions



Order Information

ATS 400/35 O, A	concealed door closer	part no. 400010
ATS 400/35 O, AK	concealed door closer (short version)	part no. 400011
ATS 400/35 O, KL	concealed door closer	part no. 400014
ATS 400/35 O, MAN	concealed door closer	part no. 400013
ATS 800/35 O,A	concealed door closer	part no. 400012