

# Door damper V 1600/V 1600F for fire doors

Universal model with the widest range of executions



Video



Website

## CHARACTERISTICS

- Thanks to its cased cylinder the fixing screws are not visible
- Available in different colors and finishes: chrome-plated, color-coated, stainless steel
- Suitable for a wide range of door types and installation situations thanks to its closing force from 20 to 115 N
- The models V 1600F with 80 N and V 1600 with 50 N are approved for use on fire and smoke doors. More information can be found under 'Fire doors'

## MOUNTING OPTIONS

- Normally installed vertically on the pull side of the door
- Also suitable for horizontal installation with special execution
- Different hooks allow its installation on overlapping, flush and recessed doors (more information available under 'Choice of hook')
- Installation on glass doors possible with additional mounting plates
- Before installing it on fire doors it is necessary to check whether mounting plates are required for the installation on your fire or smoke door. For more information, see section 'Fire doors'

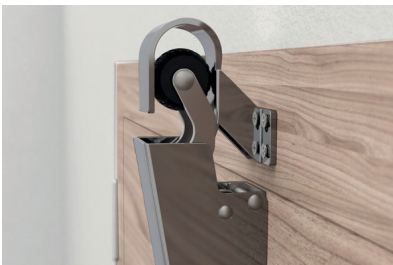


## TECHNICAL DATA

Type of doors	left opening and right opening hinged doors, flush, overlapping or recessed doors
Closing force	20 N; 50 N; 80 N; 115 N
Damping characteristics	progressive
Closing speed	adjustable
Damping fluid	silicone oil
Material	steel; stainless steel AISI 304
Finish (steel)	bright chrome; satin chrome; coated in RAL colors
Components included	door damper, hook, fixing screws for wooden doors

## CHOICE OF HOOK

- Hook 1009: for flush doors (-4 to +14 mm)
- Hook 1013: for overlapping doors (+15 to +30 mm)
- Hook 1011: for recessed doors (-5 to -20 mm)



## INSTALLATION

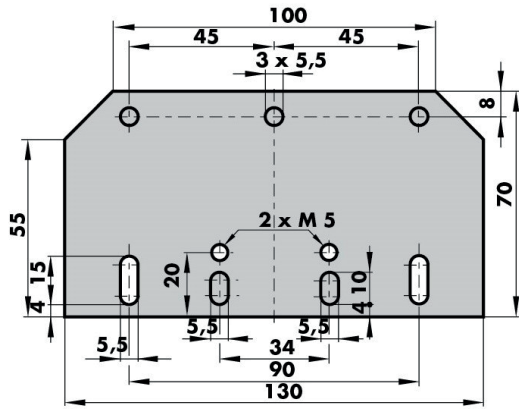


Installation instructions V 1600



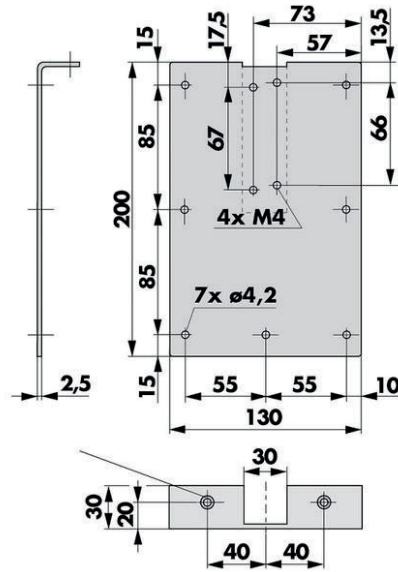
Mounting plate for vertical installation of the hook on fire doors

Part no. 205231XL

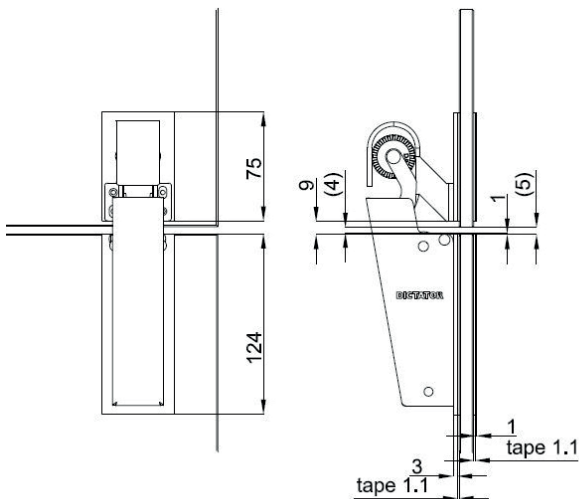


Mounting plate for door damper on fire doors without rebate

Part no. 205237



Installation set for glass doors (adhesive type)

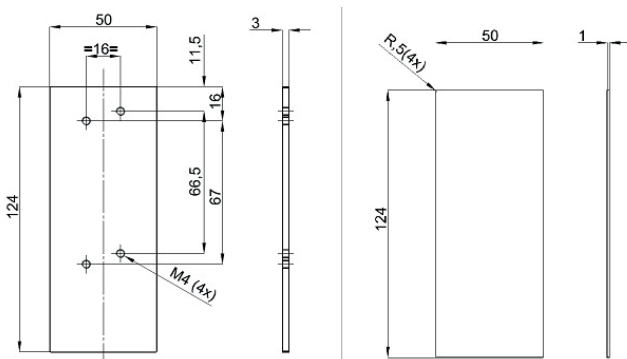


With a special double-sided adhesive tape, the mounting plates for both the door damper V 1600 and the corresponding hook are attached to the glass door or fanlight. Each set includes an adhesive cover plate for the opposite side of the mounting plate for a uniform image. Both mounting and cover plates are made of AISI 304.

Installation plates set for door damper V 1600

Adhesive mounting plate with threaded holes and adhesive cover plate of AISI 304:

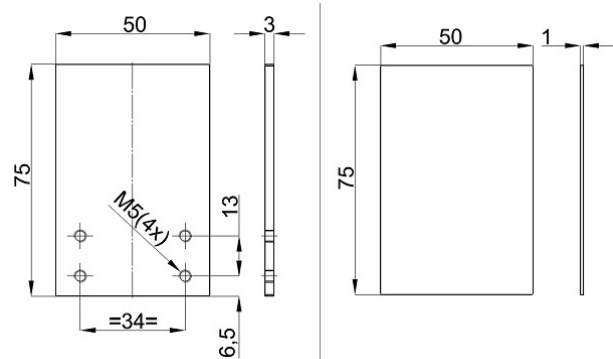
Part no. 205375



Installation plates set for hook

Adhesive Mounting plate with threaded holes and adhesive cover plate of AISI 304 for opposite side:

Part no. 205376



## ORDER INFORMATION

Description	Installation	Hook 1009	Hook 1011	Hook 1013
V 1600 20 N chromium plated	vertical	300464	*	300967
V 1600 20 N satin chrome	vertical	300464X	*	300972X
V 1600 20 N chromium plated	horizontal	300464W	*	*
V 1600 20 N satin chrome	horizontal	300464WX	*	*
V 1600 20 N RAL 9010 pure white	vertical	300466L	*	*
V 1600 20 N RAL 9006 white aluminium (grey)	vertical	300953	*	*
V 1600 20 N AISI 304	vertical	300610	-	-
V 1600 20 N AISI 304	horizontal	300611	-	-
V 1600 50 N chromium plated	vertical	300460	300629	300461
V 1600 50 N satin chrome	vertical	300460X	300457	300461X
V 1600 50 N chromium plated	horizontal	300460W	*	300461W
V 1600 50 N satin chrome	horizontal	300460WX	*	*
V 1600 50 N RAL 9010 pure white	vertical	300466	*	300965
V 1600 50 N RAL 8017 chocolate brown	vertical	300454	300979	300966
V 1600 50 N RAL 9005 jet black	vertical	300456	-	-
V 1600 50 N RAL 9006 white aluminium (grey)	vertical	300467	*	300964
V 1600 50 N AISI 304	vertical	300612	-	-
V 1600 50 N AISI 304	horizontal	300613	-	-
V 1600 80 N chromium plated	vertical	300480	*	300951
V 1600 80 N satin chrome	vertical	300480X	*	*
V 1600 80 N RAL 9010 pure white	vertical	300954	*	300968
V 1600 80 N AISI 304	vertical	300614	-	-
V 1600 115 N AISI 304	vertical	300616	-	-
<b>V 1600F</b> 80 N chromium plated	vertical	300960	300963	300973

For large quantities, other colours are also available on request.  
\*: Available on request

Description	Part No.
Mounting bracket for horizontal installation of V 1600 door damper on flush doors, 100x95x3 mm, with 4 screws M4 x 6, AISI 304	205463
Mounting plate for hooks type 1009, 1011 and 1013, with 4 screws M5 x 6, zinc-plated steel	205231XL
Mounting plate for door damper V 1600 on flush fire doors, with 4 screws M4 x 6, zinc-plated steel	205237
Mounting plate for door damper V 1600 on fire doors, including 4 screws M4 x 6, zinc-plated steel	205212
Mounting kit for door damper V 1600 for attachment to glass doors, consisting of mounting plate with threaded holes and adhesive foil, cover plate AISI 304 with adhesive foil for the rear side of the door	205375
Mounting kit for hook 1009, 1011 or 1013 for glass doors, consisting of mounting plate AISI 304 with threaded holes and adhesive foil, cover plate AISI 304 with adhesive foil for the rear side of the door	205376