

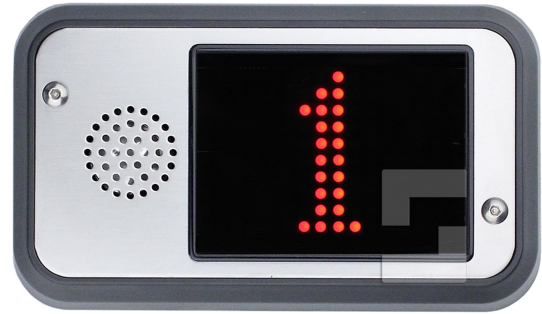
## SafeLine FD1600, surface mounting with speaker (red floor display)

### Dependable floor display – independent positioning

The FD1600 is a floor display and voice announcer that shows directional arrows, rolling text, floor units, and plays pre-installed floor announcements. This version of the floor display is intended for surface mounting that enables a quick and easy installation, and also comes with a built-in speaker.

Built upon dependable LED technology, the FD1600 is energy efficient and very easily integrated into systems with minimum installation time. Perfectly matching the IPS, the FD1600 can also be used to create a fully independent floor display system, free from the controller and moving mechanical parts. A cost-effective and long-term solution perfect for buildings in need of modernisation.

FD1600 comes with built-in wireless configuration and is also sizewise fully compatible with older floor displays – making an upgrade from an older floor display very simple, reducing time spent on-site.



## Technical information

---

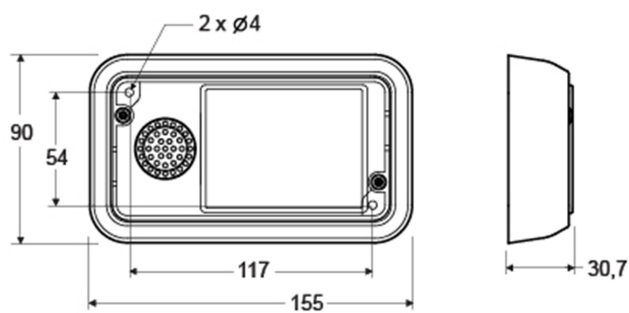
Dependable LED technology  
Perfect match to the IPS  
Sizewise compatible with older floor displays  
Built-in wireless configuration  
Compact design  
Pre-installed languages and messages

## Included in package

---

## Technical data

---



Power supply: 18-28 VDC

Current consumption: 40-200 mA at 24 VDC

: 8

Outputs: 1

Inputs: 8

Prerequisite: 1

Programming: 1

Included cable length: 1

Included antenna cable length: 1

Size (HxWxD): 90 x 155 x 31 mm