

Speaker for arrival chime, JST 2 p 2.5 mm, 150 mm

Default speaker for arrival chime.

Mini speaker for arrival chime. Fitted with connector for VV3.
Not suitable for voice announcement.



Technical information

Suitable for arrival chime

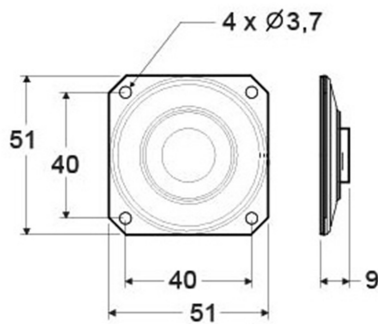
16 Ohm, 0.3W

150 mm cable with connector for VV3

Easily mounted using four screws

Included in package

Technical data



Size (HxWxD): 51 x 51 x 9 mm

Weight: 20 g