

Product data sheet

Specifications



discrete output module Modicon Premium - 8 O relay

TSXDSY08R5A

- ⚠ Discontinued on: 31 December 2018
- ⚠ To be end-of-service on: 31 December 2026

⚠ Discontinued - Service only

Main

Range of product	Modicon Premium Automation platform
Product or component type	Discrete output module
Discrete output number	8
Discrete output type	Relay protected
Discrete output voltage	24...240 V AC conforming to EN/IEC 61131-2 20...264 V 24...48 V DC conforming to EN/IEC 61131-2 19...60 V

Complementary

[I _{th}] conventional free air thermal current	5 A
Response time	< 10 ms (activation) < 15 ms (deactivation)
Contacts type and composition	2 x 2 C/O + 2 x 2 NO
Output overvoltage protection	RC circuit and Ge-Mov
Output overload protection	6.3 A, interchangeable fuse per common fast blow
Short-circuit protection	6.3 A, interchangeable fuse per common fast blow
Isolation resistance	> 10 MOhm 500 V
Power dissipation	(0.25 W + 0.24 W x No of outputs at state 1)
Electrical durability	1000000 cycles DC-12 24 W 24 V resistive 1000000 cycles DC-12 50 W 48 V resistive 1000000 cycles DC-3 24 W 24 V inductive 1000000 cycles DC-3 50 W 48 V inductive 2000000 cycles DC-3 10 W 24 V inductive 2000000 cycles DC-3 24 W 48 V inductive 300000 cycles DC-12 100 W 48 V resistive 300000 cycles DC-12 50 W 24 V resistive 100000 cycles AC-14 440 VA 220...240 V inductive 100000 cycles AC-15 440 VA 220...240 V inductive 1000000 cycles AC-12 100 VA 48 V resistive 1000000 cycles AC-12 220 VA 100...120 V resistive 1000000 cycles AC-12 440 VA 220...240 V resistive 1000000 cycles AC-14 220 VA 220...240 V inductive 1000000 cycles AC-15 220 VA 220...240 V inductive 10000000 cycles AC-14 20 VA 100...120 V inductive 10000000 cycles AC-15 20 VA 100...120 V inductive 10000000 cycles AC-15 20 VA 220...240 V inductive 150000 cycles AC-14 220 VA 100...120 V inductive 150000 cycles AC-15 220 VA 100...120 V inductive 1500000 cycles AC-14 110 VA 100...120 V inductive 1500000 cycles AC-15 110 VA 100...120 V inductive 2000000 cycles AC-14 50 VA 48 V inductive 2000000 cycles AC-15 50 VA 48 V inductive 3000000 cycles AC-14 110 VA 220...240 V inductive

3000000 cycles AC-15 110 VA 220...240 V inductive
 500000 cycles AC-12 200 VA 48 V resistive
 500000 cycles AC-12 440 VA 100...120 V resistive
 500000 cycles AC-14 50 VA 24 V inductive
 500000 cycles AC-15 50 VA 24 V inductive
 5000000 cycles AC-14 20 VA 48 V inductive
 5000000 cycles AC-15 20 VA 48 V inductive
 700000 cycles AC-12 100 VA 24 V resistive

Marking	CE
Electrical connection	Screw terminal block
Current consumption	55 mA at 5 V DC 80 mA at 24 V DC rack
Module format	Standard
Net weight	0.42 kg

Environment

Dielectric strength	2000 V 50/60 Hz 60 s
Standards	CSA C22.2 No 213 Class I Division 2 Group D 73/23/EEC 93/68/EEC CSA C22.2 No 213 Class I Division 2 Group A 92/31/EEC 89/336/EEC CSA C22.2 No 213 Class I Division 2 Group B CSA C22.2 No 142 IEC 61131-2 UL 508 CSA C22.2 No 213 Class I Division 2 Group C
Product certifications	DNV LR ABS BV RMRS GL RINA
Ambient air temperature for operation	0...60 °C
Ambient air temperature for storage	-25...70 °C
Relative humidity	10...95 % without condensation for operation 5...95 % without condensation for storage
Operating altitude	0...2000 m
Protective treatment	TC
IP degree of protection	IP20
Pollution degree	2

Packing Units

Unit Type of Package 1	PCE
Number of Units in Package 1	1
Package 1 Height	5.5 cm
Package 1 Width	18.0 cm
Package 1 Length	26.0 cm
Package 1 Weight	554.0 g
Unit Type of Package 2	S03
Number of Units in Package 2	8
Package 2 Height	30.0 cm
Package 2 Width	30.0 cm
Package 2 Length	40.0 cm

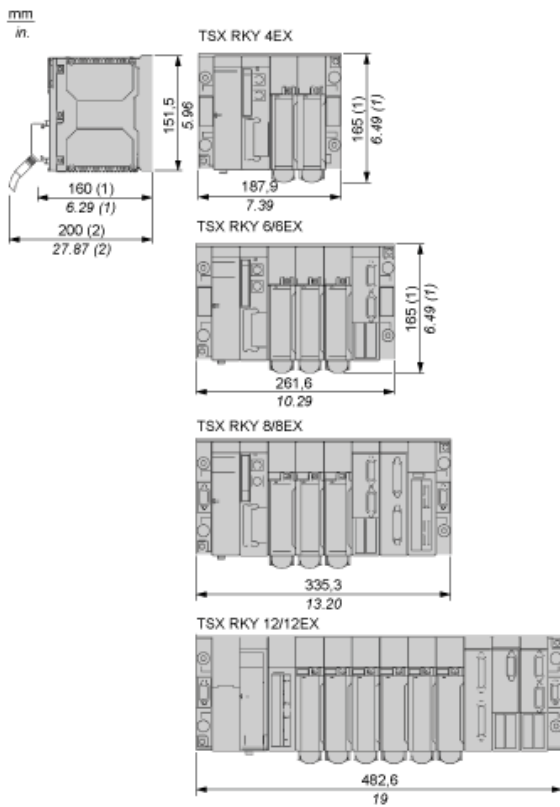
Package 2 Weight 4.432 kg

Contractual warranty

Warranty 18 months

Standard and Extendable Racks for Modules Mounting

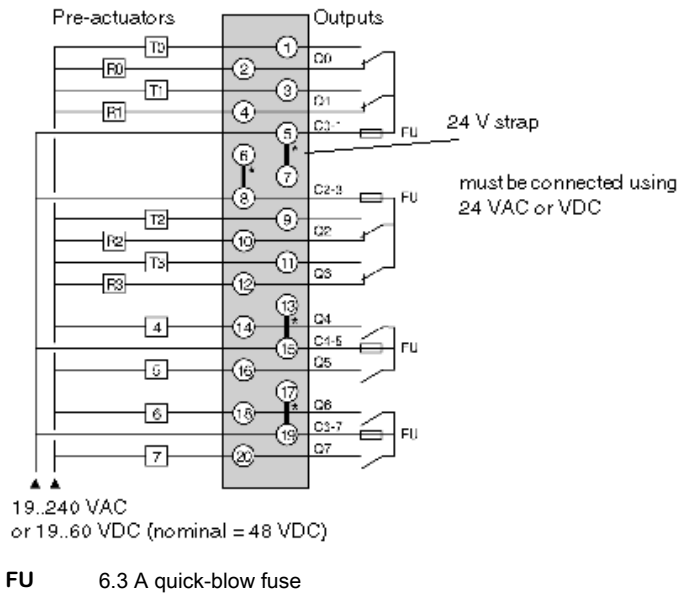
Dimensions of Modules and Racks



- (1) With screw terminal block modules.
- (2) Maximum depth for all types of modules and their associated connectors.

Discrete Relay Output 8-Channel Module for 5 A Thermal Current

Wiring Diagram



Recommended replacement(s)