

# Product data sheet

Specifications



## discrete input module Modicon Premium - 32 I 24 V DC

TSXDEY32D2K

! Discontinued on: 31 December 2018

! To be end-of-service on: 31 December 2026

! Discontinued - Service only

### Main

Range of product	Modicon Premium Automation platform
Product or component type	Discrete input module
Discrete input number	32 current sink isolated conforming to EN/IEC 61131-2 type 1
Discrete input voltage	24 V DC positive
Sensor power supply	19...30 V
Discrete input current	3.5 mA

### Complementary

Voltage state 1 guaranteed	$\geq 11$ V
Current state 1 guaranteed	$\geq 3$ mA
Voltage state 0 guaranteed	$\leq 5$ V
Current state 0 guaranteed	$\leq 1.5$ mA
Input impedance	6300 Ohm at state 1
Response time	$\leq 7$ ms 4 ms
Isolation resistance	$< 10$ MOhm 500 V DC
Power dissipation	(1 W + 0.1 W x No of channels used)
Electrical connection	HE-10 connector
Marking	CE
Current consumption	135 mA at 5 V DC 160 mA at 24 V DC
Module format	Standard
Net weight	0.3 kg

### Environment

Dielectric strength	1500 V AC at 50/60 Hz
Standards	CSA C22.2 No 213 Class I Division 2 Group B IEC 60664 CSA C22.2 No 142 CSA C22.2 No 213 Class I Division 2 Group A 92/31/EEC EN/IEC 61131-2 UL 508

CSA C22.2 No 213 Class I Division 2 Group D  
93/68/EEC  
CSA C22.2 No 213 Class I Division 2 Group C  
73/23/EEC  
89/336/EEC

---

<b>Product certifications</b>	LR GL BV RMRS RINA ABS DNV
<b>Ambient air temperature for operation</b>	0...60 °C
<b>Ambient air temperature for storage</b>	-25...70 °C
<b>Relative humidity</b>	10...95 % without condensation for operation 5...95 % without condensation for storage
<b>Operating altitude</b>	0...2000 m
<b>Protective treatment</b>	TC
<b>IP degree of protection</b>	IP20
<b>Pollution degree</b>	2

---

## Packing Units

---

<b>Unit Type of Package 1</b>	PCE
<b>Number of Units in Package 1</b>	1
<b>Package 1 Height</b>	5.5 cm
<b>Package 1 Width</b>	18.0 cm
<b>Package 1 Length</b>	26.0 cm
<b>Package 1 Weight</b>	412.0 g
<b>Unit Type of Package 2</b>	S03
<b>Number of Units in Package 2</b>	8
<b>Package 2 Height</b>	30.0 cm
<b>Package 2 Width</b>	30.0 cm
<b>Package 2 Length</b>	40.0 cm
<b>Package 2 Weight</b>	3.811 kg

---

## Contractual warranty

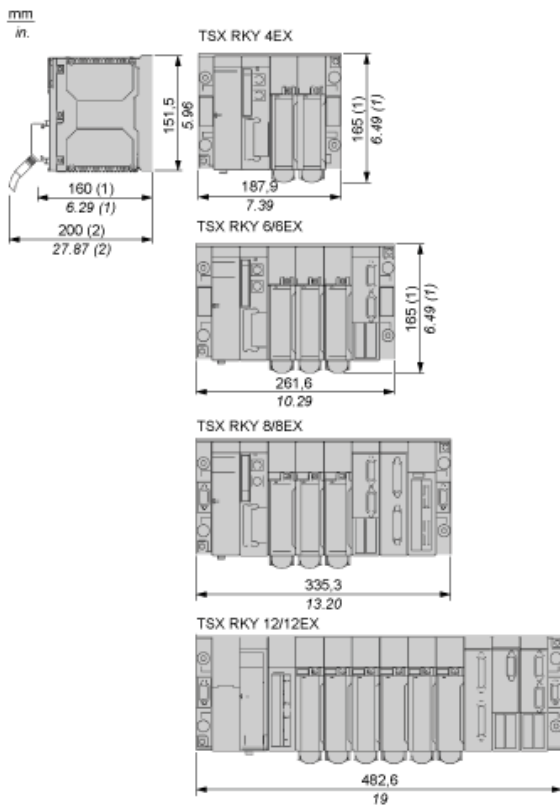
---

<b>Warranty</b>	18 months
-----------------	-----------

---

**Standard and Extendable Racks for Modules Mounting**

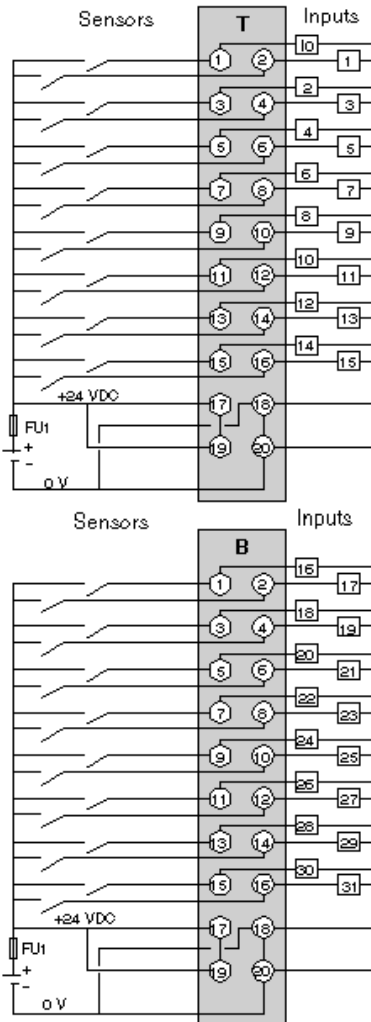
**Dimensions of Modules and Racks**



- (1) With screw terminal block modules.
- (2) Maximum depth for all types of modules and their associated connectors.

**24 Vdc Discrete Input 32-Channel Module**

**Wiring Diagram**



**FU1** 0.5 A quick-blow fuse

**Recommended replacement(s)**

TSXDEY32D2K is replaced by:

1x



Discrete input module, Modicon X80, 32 inputs, 24V DC positive  
BMXDDI3202K