

Product data sheet

Specifications



TSX Micro 37 05/08 PLC configurations

TSX3705028DR1

⚠ Discontinued on: 31 December 2019

⚠ Discontinued

Main

Range of product	Modicon TSX Micro automation platform
Product or component type	Modular base controller
Primary voltage	100...240 V 90...264 V AC
Input current	2 mA 60 A
Immunity to microbreaks	20 ms
Output current	0.5 A

Complementary

Number of slots	2
Module type	Screw terminal discrete I/O
Discrete output number	12 for relay
Integrated connection type	1 serial link Uni-Telway 19.2 kbit/s 1 Modbus Modbus RTU 19.2 kbit/s
Memory description	Internal RAM 11 Kwords data Flash 12 Kwords data
Maximum size of object areas	128 %KWi constant words 256 %Mi 1 %MWi internal words
Execution time per instruction	0.25 µs Boolean without PCMCIA card 4.81 µs arithmetic REAL floating without PCMCIA card
Execution time for 1 Kinstruction	3.03 100 % Boolean without PCMCIA card 0.25 65 % Boolean and 35 % numerical without PCMCIA card
Application structure	8 event tasks 1 master task 1 fast task
System overhead	1.9 ms for master task
Protection type	Overload protection Short-circuit
Network frequency	50...60 Hz
Total useful secondary power	24 W
Electromagnetic compatibility	Electrostatic discharge conforming to IEC 1000-4-2 level 3 Electromagnetic field immunity test conforming to IEC 1000-4-3 level 3 Resistance to fast transient conforming to IEC 1000-4-4 level 3 Immunity to impulse waves conforming to IEC 1000-4-5 Damped oscillatory wave conforming to IEC 1000-4-12 Immunity to electromagnetic interference conforming to IEC 61131-2

Environment

Ambient air temperature for operation	0...60 °C
Ambient air temperature for storage	-25...70 °C
Relative humidity	10...95 % without condensation for operation 5...95 % without condensation for operation
Operating altitude	0...2000 m
Width	187.3 mm
Height	151 mm
Depth	152 mm
Net weight	2.37 kg

Packing Units

Unit Type of Package 1	PCE
Number of Units in Package 1	1
Package 1 Height	15.5 cm
Package 1 Width	16.5 cm
Package 1 Length	18 cm
Package 1 Weight	1.959 kg

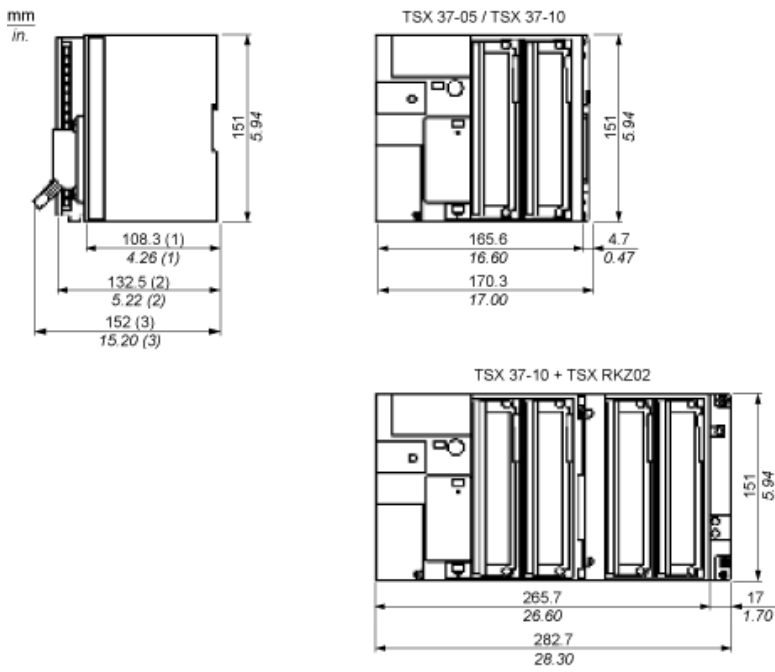
Offer Sustainability

EU RoHS Directive	Not applicable, out of EU RoHS legal scope
China RoHS Regulation	China RoHS declaration
WEEE	The product must be disposed on European Union markets following specific waste collection and never end up in rubbish bins
California proposition 65	WARNING: This product can expose you to chemicals including: Lead and lead compounds which is known to the State of California to cause Carcinogen & Reproductive harm. For more information go to www.p65warnings.ca.gov

Contractual warranty

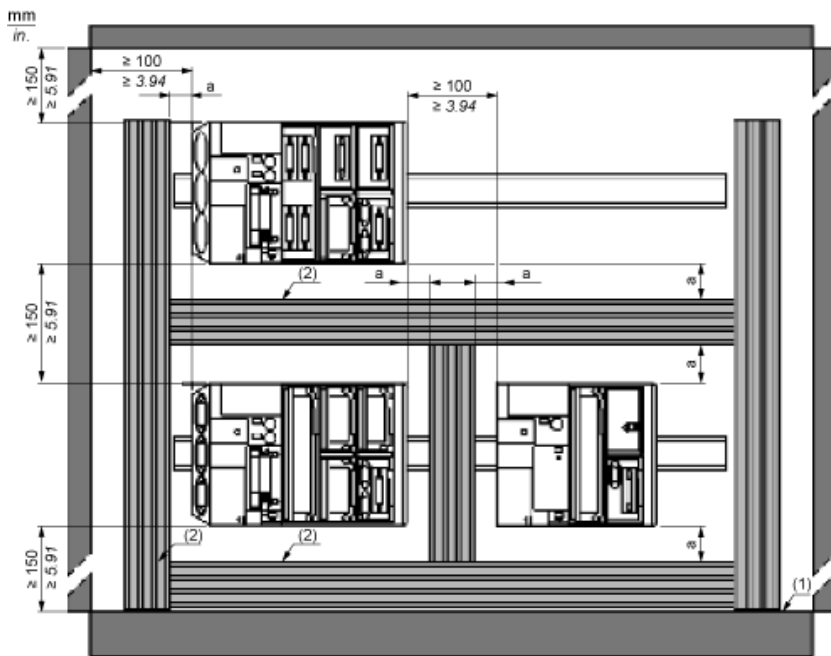
Warranty	18 months
----------	-----------

Dimensions



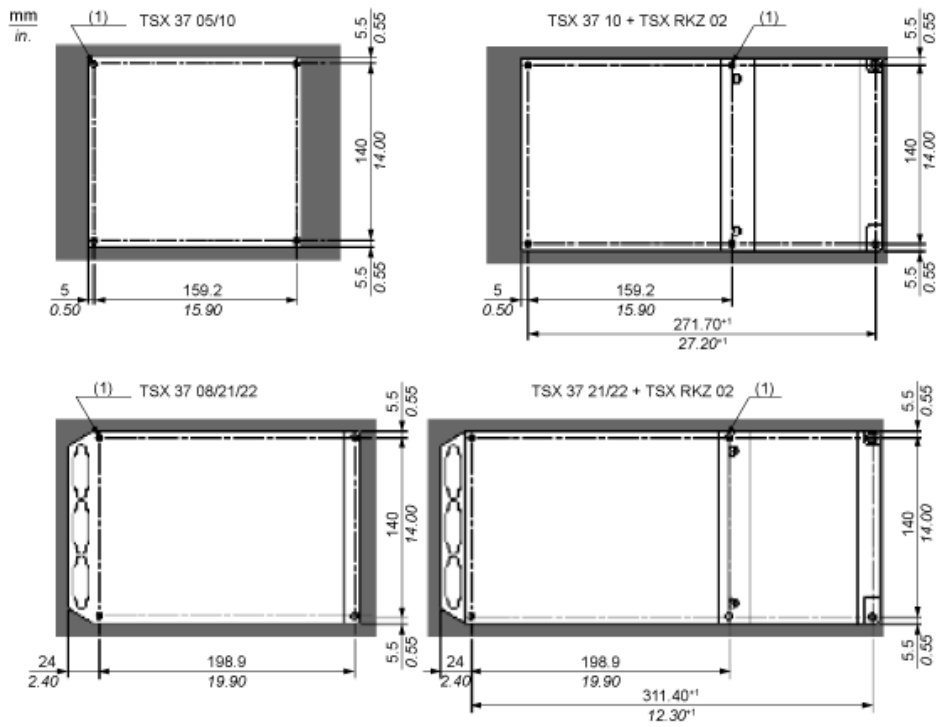
- (1) PLC empty.
- (2) With screw terminal block.
- (3) With HE10 or SubD connector.

Spacing Requirements



- a 50 mm/1.97 in. minimum
- (1) Installation or casing
- (2) Trough or cable tray

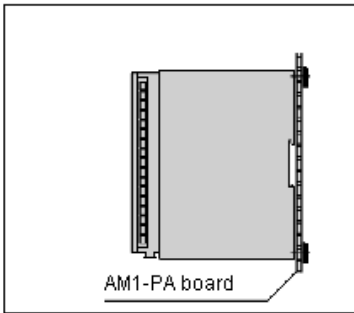
Panel/Board Mounting



(1) The diameter of the fixing holes must be sufficient to take M4 screws.

Telequick Board Mounting

Side View



Use 4 screws with M4x16AF1-VA416 captive washers and 4 M4 AF1-EA4 clip nuts.

Recommended replacement(s)