

**SGR 2-200-020-010-B1-A-06-3F****Self-Contained Light Curtains**

Light Curtains

**Compatible Transmitter:**

SGT 2-200-020-010-B1-A-00-3F




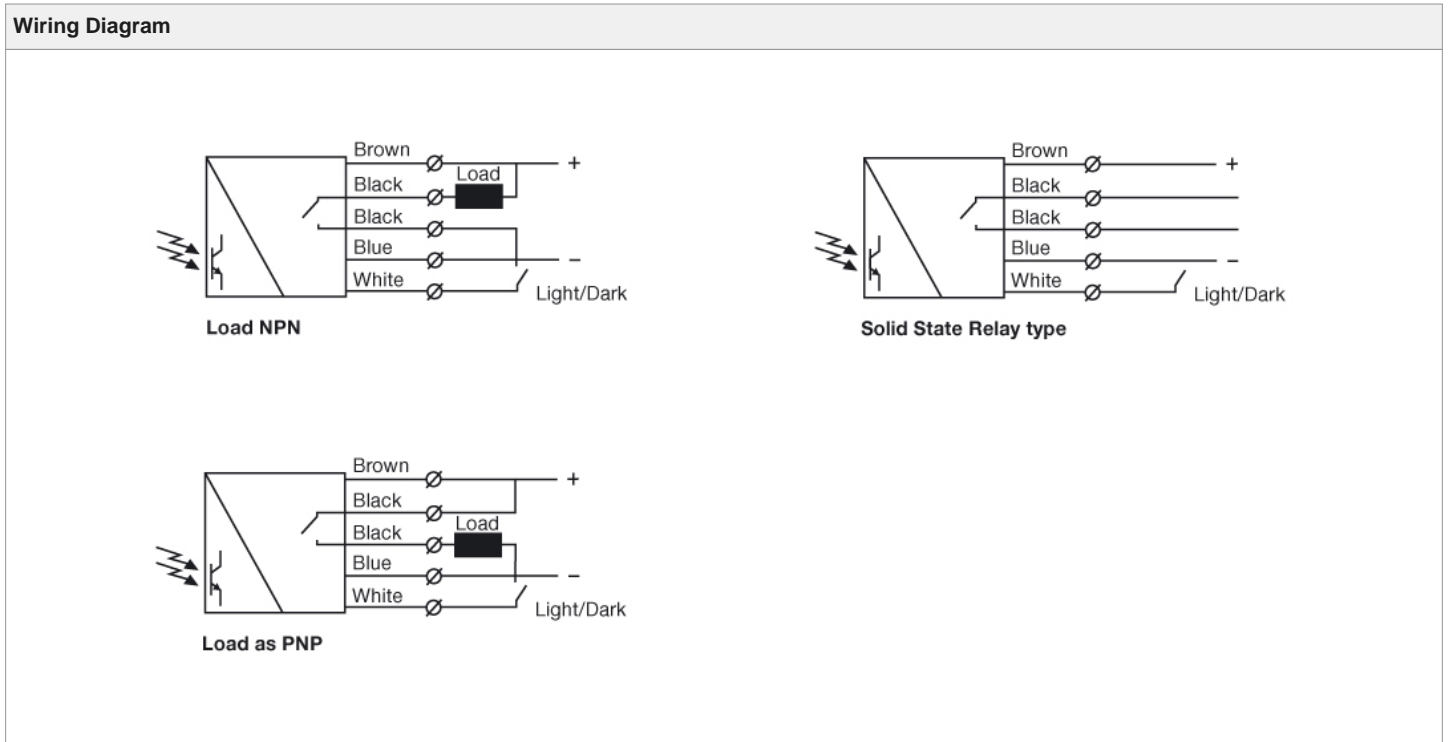
Product Data	
Function	Receiver
Operation Mode	Thru Beam
Supply Voltage	12 - 36 V dc
Connection	3 m flexible cable
Sensing Range	4 m
Number of Channels	20
Output	Solid State Relay
Output Status	N.C./N.O.
Response	< 40 ms
Length	2000 mm
Active Height	1800 mm
Housing	10 x 28 mm
Features	Time-out and Blanking Function

Technical Data	
Supply Voltage	12 – 36 V dc
Reverse Polarity Protected	Yes
Short Circuit Protected	Yes
Current Consumption	50 mA
Output Rating	200 mA
Spacing between bottom & Ch1	25 mm
Distance, Beams Pinch Point	46 mm
Channel Spacing	92 mm (Channels 19 and 20: 138 mm)
Response Time	< 40 ms
Power On Indicator	Green LED
Output Indicator	Yellow LED
System Status Indicator	Red LED
Time-out Function	Up to 2 non-adjacent channels, selectable

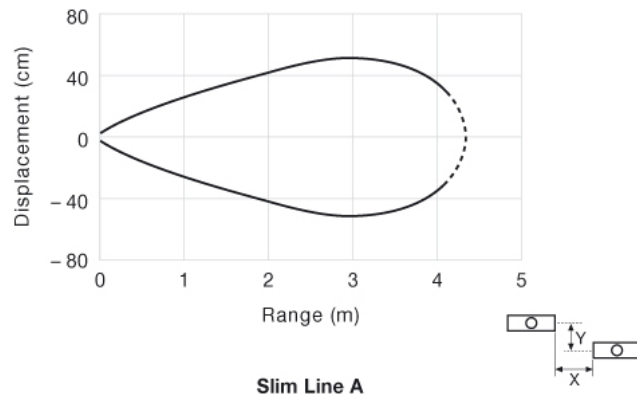
Light Source	Infrared (940 nm)
Profile Dimensions (w x d)	Slim Line (A), 10 x 28 mm
Housing Material, Front Lens	Polycarbonate
Housing Material, Profile	Aluminium (natural anodised)
Cable	5 x 0,14 mm <sup>2</sup>
Cable Sleeve	PVC Ø 4,1 mm

Environmental Data	
Operation Temperature	-20 to +65 °C
Storage Temperature	-40 to +80 °C
Sealing Class	IP 54
Light Immunity 5°	> 100 000 lux

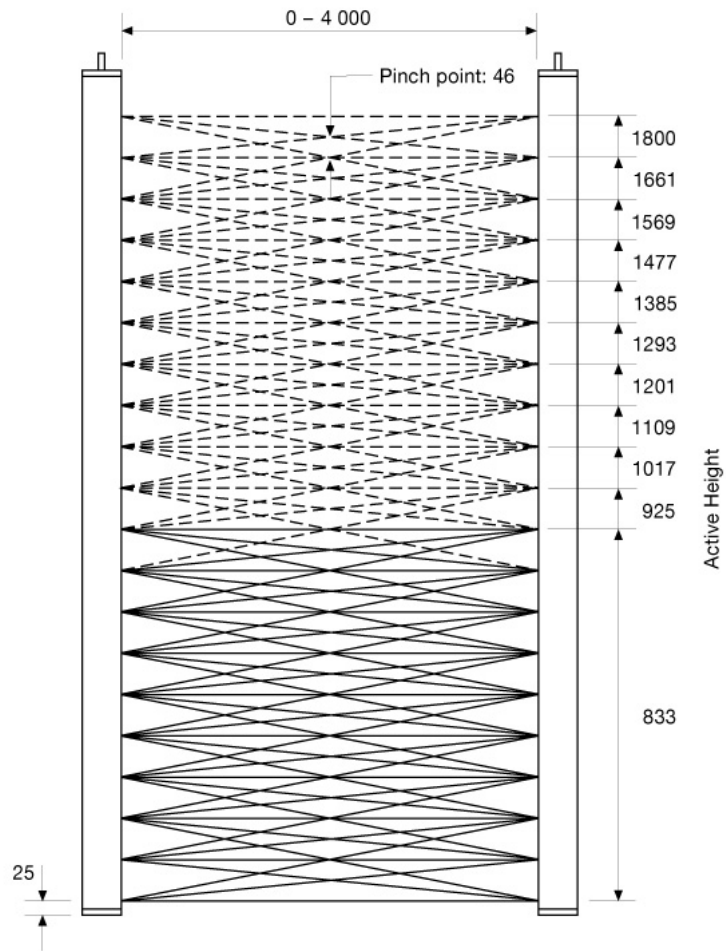
**Approvals**

Parallel Displacement



Beam Patterns



Dimensions

Details

