

SGC 11 A 300

Remote Light Curtains

Light Curtains



Product Data	
Function	Controller
Supply Voltage	230 V ac / 24 V dc
Output	Relay and NPN
Sensitivity Adjustment	Manual and Automatic
Housing	56 x 177 x 138
Features	Alarm and Time out outputs

Technical Data	
Supply Voltage	230 V ac / 24 V dc
Voltage Tolerance	ac: -12 % / +6 % - dc: +/- 15 %
Current Consumption	Max. 15 VA
Max. Response Time, Transistor	(Number of channels x 2 ms) + 2 ms
Max. Response Time, Relay	(Number of channels x 2 ms) + 10 ms
Output, Relay	1 open/1 close, 250 V ac/3 A, 120 V ac/5 A
Output, Transistor	Max 24 V dc / 100 mA
Alarm Output	Yes
Time Output	Yes
Power On Indicator	Green LED
Output Indicator	Yellow LED
Alarm Indicator	Red LED
SGR Detector Failure Indicator	Red LED
SGT Detector Failure Indicator	Red LED
Time-out Indicator	Red LED
Time-out Function	4 to 32 channels, selectable
Housing Material	Polycarbonate

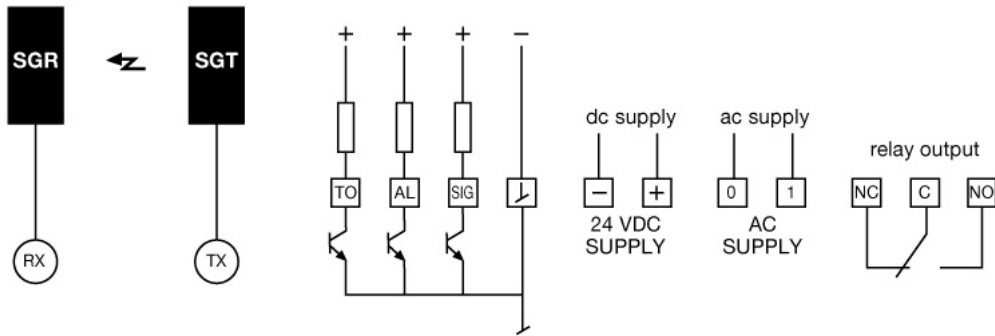
Environmental Data

Vibration	10 – 55 Hz, 1,5 mm
Shock	30 g
Operation Temperature	-10 to +40 °C
Storage Temperature	-40 to +80 °C
Sealing Class	IP 20

Approvals



Wiring Diagram



SGC 11 A 30x (Relay and NPN output)

Dimensions

