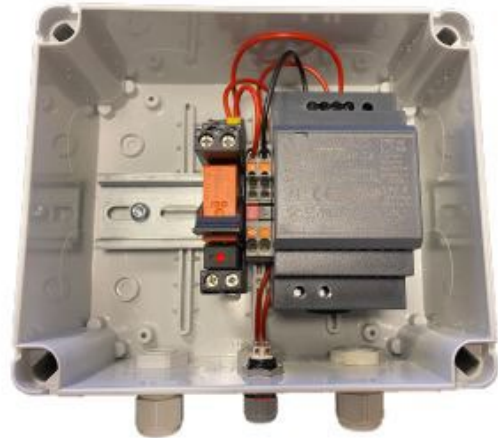


## Converter box 230VAC to 24VDC with test button

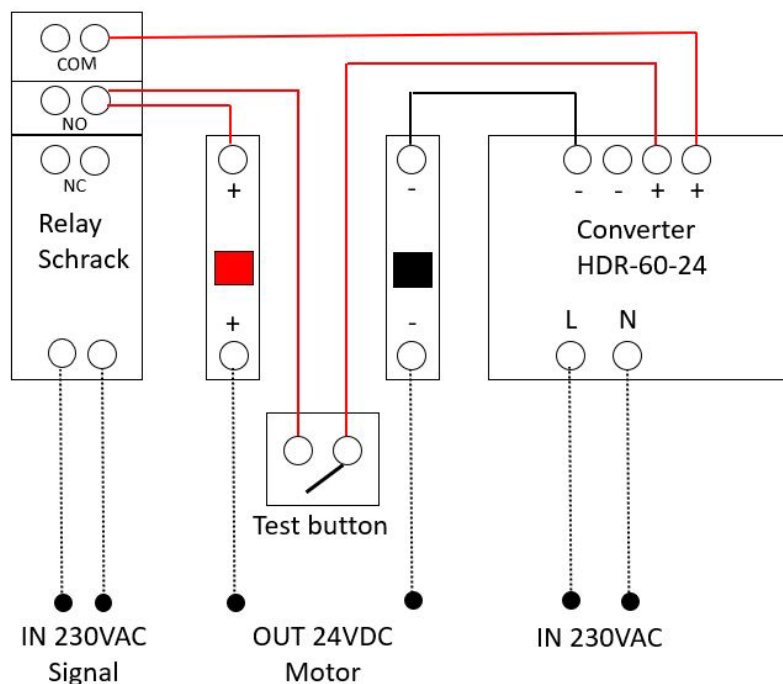
### ELB Kompakt



### Description

Converter from 230VAC to 24VDC. Have the converter connected to current and activate the retiring ramp through the relay for quickest possible activation of the retiring ramp. With test button for the retiring ramp. Keep the button pushed in to activate the retiring ramp.

### Electrical wiring



## Product specification

Technical data	
Ingoing voltage	85-264VAC
Outgoing voltage	24VDC
Nominal current out	2,5A
Current ingoing at 230V	0,8A
Allowed working temperature	-30°C ~ +70°C
Dimensions	160x135x77mm
Weight	0.62kg
IP-class	IP55

**Disposal:** Follow national laws.

Disposal according to:

- Electronics (Converter, relay, button and cables)
- Plastics (Box, cable glands)
- Metal (DIN-bracket)