



Retiring ramp ELB - Kompakt

Reference:

Installation manual Retiring ramp ELB- Kompakt

ELB Kompakt (long & short) are motor activated retiring ramps. The ramp falls in the event of power failure. Powered with 24VDC

Contents of packaging

- 1. Retiring ramp
- 2. Motor kit
- If bought incl.mounting kit (2500417/18)
 - 1. Mounting plate for retiring ramp ELB-75 (2500015)
 - 2. Screw kit for mounitng on plate (2500015-1)

Recommended tools

Screwdriver – Torx 20

Required material

- 4 screws M8x14mm with suitable washers.
- 1pc chain stop plate for adjusting the chain. (Incl. in kit)

1. Mounting of retiring ramp

The retiring ramp sub-assembly is mounted on side of the car either directly or on ELB -75 mounting plate using the screw kit for mounting on plate (2500015 -1). Entire assembly is mounted on the frame using mounting holes ①.

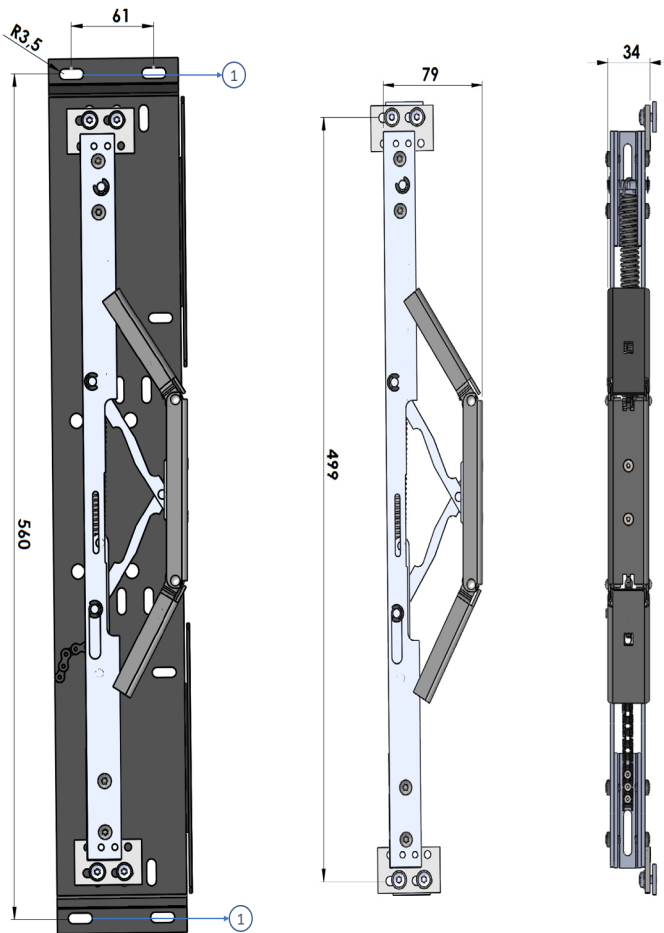
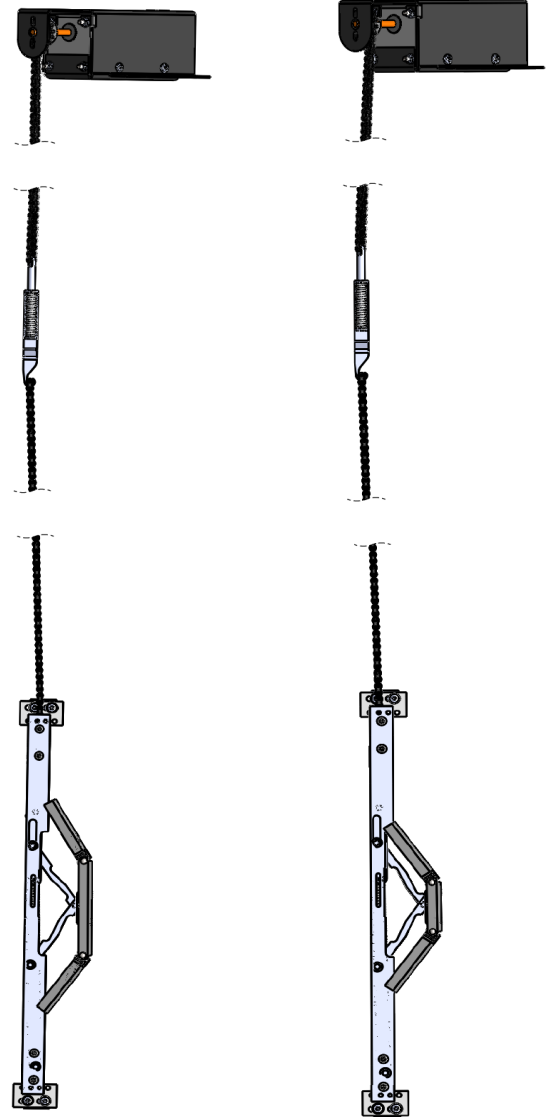


Figure 1 Mounting of retiring ramp



ELB-Kompakt - long ELB-Kompakt - short

2. Mounting of motor kit

The motor kit is mounted and fixed on the top of the car or below. Use the PVC oval grommets and flat washer included in motor kit for less vibration when fixing it to the car. Try to place the motor so its chain gets aligned with the chain from the retiring ramp. The rotation direction of the motor can be changed to simplify placement. The holes are drilled and threaded as shown in Figure.2

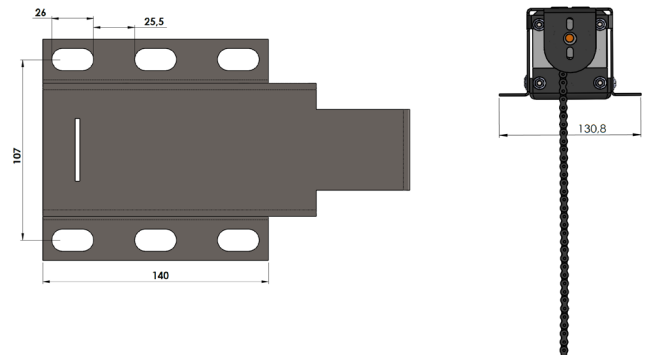


Figure 2 Mounting of motor kit

3. Connecting the motor kit with the retiring ramp

When connecting the motor with the retiring ramp, we recommend to follow the stages below.

- A) Pull the chain downwards from the motor, so that the gear is at the bottom position.
- B) Pull the chain up from the retiring ramp to match the height of the hook from the motor kit. Make sure it is fully stretched and that the retiring ramp is still in the fallen position. Mark which link is at the height of the hook to be hooked in.
- C) Press the retiring ramp by hand and lock the slightly slack chain with the chain stop plate to facilitate the hooking.
- D) Hook in and remove the chain stop plate.

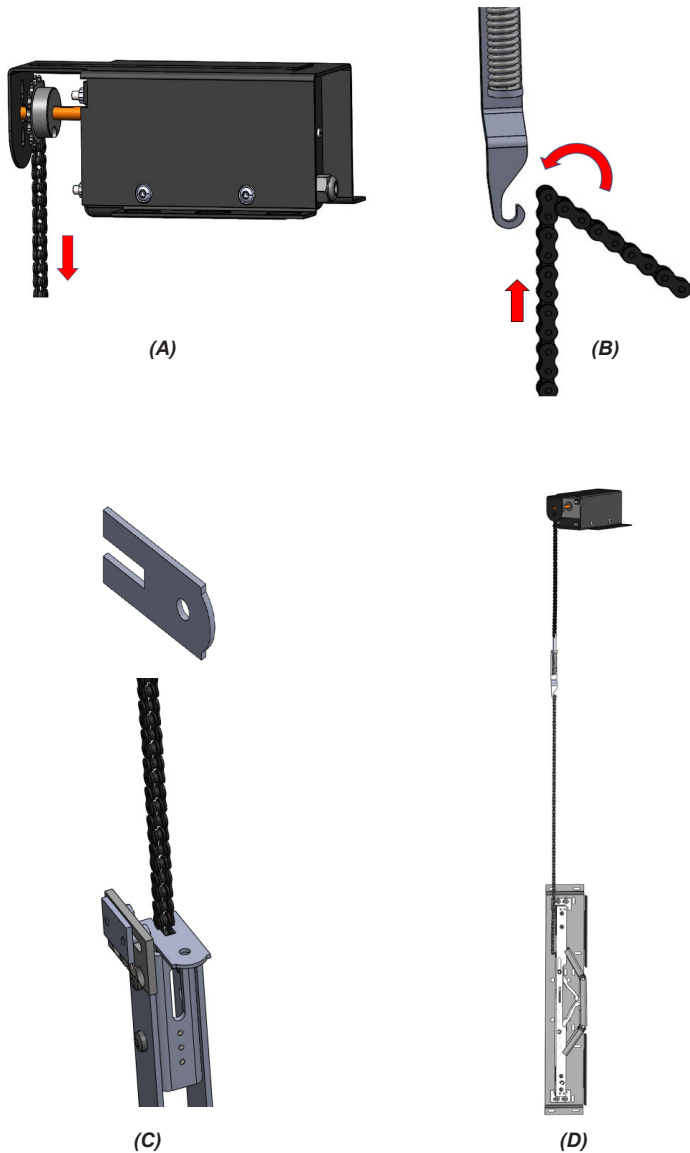


Figure 3 Assembling of retiring ramp kit and motor kit

The chain stop plate is included in the kit, see C) above and should facilitate hooking. It is then removed during commissioning.

4. Connections

Note: see eventual risks in Sec.5 before connecting

Motor kit comes with a cable that is connected to 24V DC. Minimum 2,5A is needed to be able to pull it all the way. Red to positive (+) and black to negative (-).

5. Risk of squeezing

There are two zones of squeezing risk, one is between the retiring ramp's ramp and its base plates during active retraction. The second is on the motor between gear and chain. We suggest to be very cautious while working/ service in these areas. We recommend to use our stop key (provided in kit) and make sure power supply is switched off to avoid risks involved.

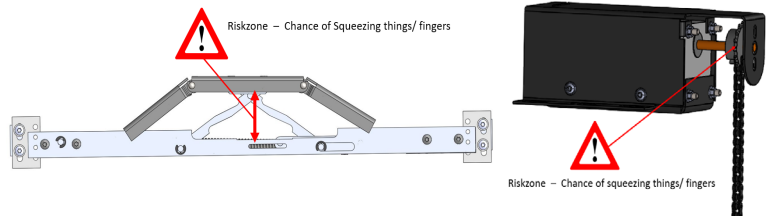


Figure 4 Illustrating the squeeze risk zone one & two

6. Various settings/options

(1) There are two possible settings/ options to change on the back of the motor. One is for changing the rotational direction and other is for return speed. The large black switch determines whether the chain should pull counterclockwise or clockwise. Returning speed is adjusted with a cross screw driver through appointed hole, see below.

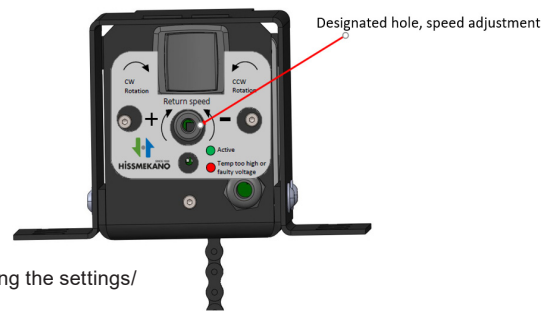


Figure 5 Illustrating the settings/ options (1) & (2)

(2) On the retiring ramp, there is one possible option to adjust the stroke of the retiring ramp with the help of a support block. Loosen the 4 screws and drag the block in the sockets as you want. It is possible to adjust it between 18-43mm.

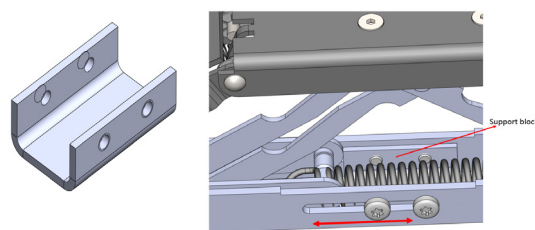


Figure 6 The adjustment of the stroke length

TECHNICAL SPECIFICATIONS

Motor:
 Voltage: 24V DC
 Current (hold/pull): 1 / 2,5 A

RECOMMENDATIONS

Do not connect the power before all steps above has been done.
 ELB- Kompakt can be lubricated if necessary.