



(INT+43 1/ NAT 0222)
TEL 360 20 - 0 / FAX - 234
A-1194 VIENNA, P.O. BOX 2

GG - DATA SHEET

-IN DOUBT, THE GERMAN ORIGINAL GOVERNS THIS TRANSLATION-

K 1024

GG-STANDARD

E6

ISSUE

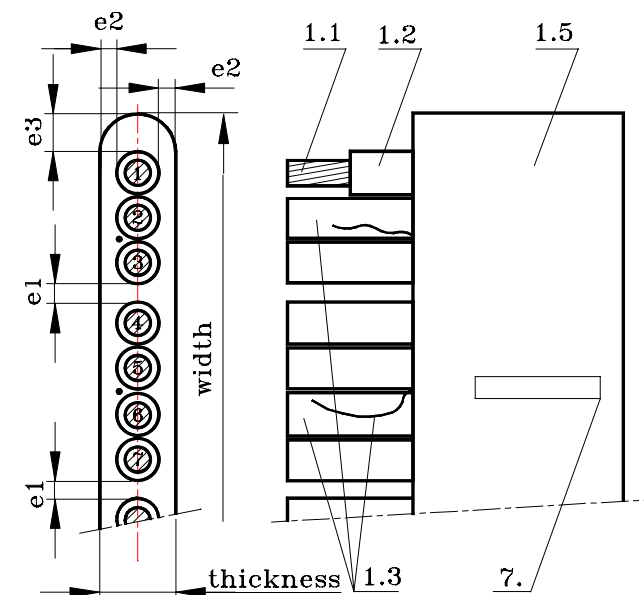
1. DESIGN DATA

- 1.1 CONDUCTOR** : Bare copper wires, material and conductor construction according to CENELEC HD 383, fine strand, class 5.
- 1.2 INSULATION** : PVC, type TI2 acc. to CENELEC HD 21.1/S2, table 1, Shore A 77 ± 5 acc. to DIN 53505, colour : bk with number marking according to CENELEC HD 186/S2, Pkt. 6, whereby the gnye core has no number marking, dimensions acc. to EN 50214, test according to CENELEC HD 21.1/S2, Pkt. 5.2.
- 1.3 ARRANGEMENT OF CORES** : Acc. to guiding rule EN 50214, the cores are summarized in groups; each group includes a rip cord.
- 1.4 SEPERATION** : Talcum between core- and sheath material.
- 1.5 SHEATH** : PVC, type TM2 according to CENELEC HD 21.1/S2, table 2, Shore A 77 ± 5 according to DIN 53505, colour: bk, dimensions acc. to EN 50214, test according to CENELEC HD 21.1/S2, Pkt. 5.5.

2. CHARACTERSITICS

- 2.1 RATED VOLTAGE (50 Hz)** : 300/500 V(rms).
- 2.2 TEST VOLTAGE (50 Hz)** : 2 kV(rms)/15 minutes CENELEC HD 21.1/S2, table 3, Pkt. 2.
- 2.3 OPERATING TEMPERATURE** : -20°C to $+70^{\circ}\text{C}$

- 3. BENDING RADIUS** : Min. eightfold thickness of flat cable according to CENELEC HD 516/S1, table 6.2.
- 4. BENDING TEST** : Min. 30.000 bending cycles acc. to EN 50214.
- 5. FREE HANGING LENGTH** : Max. 45m (max. lift height 80m).
- 6. LIFT SPEED** : Max. 6.3 m/s acc. to EN 50214.
- 7. IDENTIFICATION** : Continuous marking "GEBAUER & GRILLER - Polyflex - ÖVE - HAR - production date - continuous length count" on sheath (distance $\leq 500\text{mm}$).
- 8. DELIVERY MAKE-UP** : On drums with standard length according to table.



P o l y f l e x

table of flat PVC-sheated flexible cables
without strain bearing member 300/500V.

Typ H05VVH6-F ...

GG-PART No.

DESIGNED
STRASSER

CHECKED
PALMSTEINER

DATE
17.01.07

EXTERNAL SPECIFICATION
EN 50214

PAGE
1 of 4

©

GEBAUER & GRILLER KABELWERKE GMBH
ALL RIGHTS RESERVED-NO UPDATE SERVICE



(INT+43 1/ NAT 0222)
TEL 360 20 - 0 / FAX - 234
A-1194 VIENNA, P.O. BOX 2

GG - DATA SHEET

-IN DOUBT, THE GERMAN ORIGINAL GOVERNS THIS TRANSLATION-

K 1024

GG-STANDARD

E6

ISSUE

PVC-CORE ACC. TO EN 50214

NOMINAL- CROSS- SECTION [mm ²]	W I R E		C O N D U C T O R		P V C - C O R E			
	NUMBER (approx.)	MAX. DIAMETER [mm]	MAX. DIAMETER [mm]	MAX. RESISTANCE at 20°C [Ω/km]	THICKNESS OF INSULATION nom. min. [mm] [mm]	MAX. DIAMETER /-TOLERANCE [mm] [mm]	MIN. INSULATION- RESISTANCE at 70°C [MΩ.km]	TEST VOLTAGE at 50 Hz [kV(rms)/5 minutes]
0.75	24	0.21	1.3	26.0	0.60 0.44	2.5 / -0.2	0.011	1.5
1.0	32	0.21	1.4	19.5	0.60 0.44	2.6 / -0.2	0.010	1.5

P o l y f l e x

table of flat PVC-sheated flexible cables
without strain bearing member 300/500V.

Typ H05VVH6-F ...

GG-PART No.

DESIGNED
STRASSER

CHECKED
PALMSTEINER

DATE
17.01.07

EXTERNAL SPECIFICATION
EN 50214

PAGE
2 of 4



(INT+43 1/ NAT 0222)
TEL 360 20 - 0 / FAX - 234
A-1194 VIENNA, P.O. BOX 2

GG - DATA SHEET

-IN DOUBT, THE GERMAN ORIGINAL GOVERNS THIS TRANSLATION-

K 1024

GG-STANDARD

E6

ISSUE

FLAT PVC-SHEATED FLEXIBLE CABLES WITHOUT STRAIN BEARING MEMBER AND CORE-NOMINAL CROSS SECTION 0,75mm²

NUMBER OF CORES		THICKNESS OF SHEATH			CABLE-DIMENSIONS (approx.) thickness × width [mm]	WEIGHT (approx.) [g/m]	DELIVERY MAKE UP [drum]	STANDARD LENGTH [km]	GG-PART No. with gnye singlecore yes / no	
total [-]	per group of cores [-]	e1 nom./min. [mm] [mm]	e2 nom./min. [mm] [mm]	e3 nom./min. [mm] [mm]						
6	3 + 3	1,0 / 0,6	0,9 / 0,52	1,5 / 1,0	4 × 19	142	E-10	1,0	34 009	48 963
8	4 + 4	1.0 / 0.6	0.9 / 0.52	1.5 / 1.0	4 × 23	175	E-10	1.0	90 718	--
9	3 + 3 + 3	1.0 / 0.6	0.9 / 0.52	1.5 / 1.0	4 × 27	199	E-12	1.0	--	48 966
12	4 + 4 + 4	1.0 / 0.6	0.9 / 0.52	1.5 / 1.0	4 × 34	258	E-12	1.0	88 785	48967
16	4 + 4 + 4 + 4	1.0 / 0.6	0.9 / 0.52	1.5 / 1.0	4 × 44	334	E-12	1.0	87 914	--
18	4 + 5 + 5 + 4	1.0 / 0.6	0.9 / 0.52	1.5 / 1.0	4 × 49	380	E-12	1.0	90.333	48 968
20	4 + 4 + 4 + 4 + 4	1.0 / 0.6	0.9 / 0.52	1.5 / 1.0	4 × 55	425	E-12	1.0	87 913	--
24	4 + 4 + 4 + 4 + 4 + 4	1.0 / 0.6	0.9 / 0.52	1.5 / 1.0	4 × 66	509	E-12	1.0	87 912	48969

notation example without gnye core : H05VVH6-F 18x0,75.
with gnye core : H05VVH6-F 18G0,75.

Arrangement of gnye core:

At 6-cores type the gnye core is lying between core No. 2 and core No. 3.
At 8-cores type the gnye core is lying between core No. 3 and core No. 4.
At 9-cores type the gnye core is lying between core No. 5 and core No. 6.
At 12-, 16-, 18- and 20- cores type the gnye core is lying between core No. 7 and core No. 8.
At 24-cores type the gnye core is lying between core No. 13 and core No. 14.

P o l y f l e x

table of flat PVC-sheated flexible cables
without strain bearing member 300/500V.

Typ H05VVH6-F ...

GG-PART No.	DESIGNED STRASSER	CHECKED PALMSTEINER	DATE 17.01.07	EXTERNAL SPECIFICATION EN 50214	PAGE 3 of 4
-------------	-----------------------------	-------------------------------	-------------------------	-------------------------------------------	-----------------------



(INT+43 1/ NAT 0222)
TEL 360 20 - 0 / FAX - 234
A-1194 VIENNA, P.O. BOX 2

GG - DATA SHEET

-IN DOUBT, THE GERMAN ORIGINAL GOVERNS THIS TRANSLATION-

K 1024

GG-STANDARD

E6

ISSUE

FLAT PVC-SHEATED FLEXIBLE CABLES WITHOUT STRAIN BEARING MEMBER AND CORE-NOMINAL CROSS SECTION 1,0mm²

NUMBER OF CORES		THICKNESS OF SHEATH			CABLE-DIMENSIONS (approx.) thickness x width [mm]	WEIGHT (approx.) [g/m]	DELIVERY MAKE UP [drum]	STANDARD LENGTH [km]	GG-PART No. with gnye singlecore yes / no	
total [-]	per group of cores [-]	e1 nom./min. [mm] [mm]	e2 nom./min. [mm] [mm]	e3 nom./min. [mm] [mm]						
12	4 + 4 + 4	1.0 / 0.6	0.9 / 0.52	1.5 / 1.0	4.5 x 35	292	E-12	1.0	48 970	--
18	4 + 5 + 5 + 4	1.0 / 0.6	0.9 / 0.52	1.5 / 1.0	4.5 x 51	432	E-12	1.0	48 979	--
20	4 + 4 + 4 + 4 + 4	1.0 / 0.6	0.9 / 0.52	1.5 / 1.0	4.5 x 57	483	E-12	1.0	40 750	--
24	4 + 4 + 4 + 4 + 4 + 4	1.0 / 0.6	0.9 / 0.52	1.5 / 1.0	4.5 x 68	578	E-12	1.0	48 981	--

notation example with gnye core : H05VVH6-F 18G1.

Arrangement of the gnye core:

At 12-, 18- and 20- cores type the gnye core is lying between core No. 7 and core No. 8.

At 24-cores type the gnye core is lying between core No. 13 and core No.14.

P o l y f l e x

table of flat PVC-sheated flexible cables
without strain bearing member 300/500V.

Typ H05VVH6-F ...

GG-PART No.	DESIGNED	CHECKED	DATE	EXTERNAL SPECIFICATION	PAGE
	STRASSER	PALMSTEINER	17.01.07	EN 50214	4 of 4